



flowboost[®]

F.H Range

Twin and Three Pump Booster Sets

DATA SHEET

First Publication Date: 01/09/2020

Revision: v1

Revision Date:



PRODUCT OVERVIEW

Flowboost F.H
Booster Sets



70 dba

DECIBEL
LEVEL



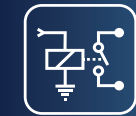
LED INVERTER
DISPLAY



THREE PHASE



CE MARKED



COMMON VOLT
FREE EXTERNAL
BMS CONTACTS



304 STAINLESS
STEEL
MANIFOLDS

also available with
vertical multistage
pumps

Introducing the **flowboost** F.H Range of high specification Booster Sets available as twin and three pump units, complete with variable speed Flowmat F inverters and WRAS approved stainless steel horizontal multistage pumps. Suitable for commercial use. Fully wired and tested.

- Variable Speed Booster Set
- Twin Pump Operation Mode - Duty/Standby or Duty/Assist
- Three Pump Operation Mode - Duty/Assist/Standby or Duty/Assist/Assist
- WRAS Approved horizontal multistage pumps
- Built in protection against hydraulic shock
- Protection against dry running / low pressure
- Cyclic change-over of duty
- Low Water Level Protection - Provision for wiring of 2 float switches
- Advanced LED Controller displays working pressure, absorbed current and alarm log
- Common volt free contacts
- Flowcare 2 Year 24/7 response warranty available if commissioned
- **Maximum allowable static head 10 Bar**

PRODUCT DETAILED OVERVIEW

Flowboost F.H Range
Booster Sets



Electrical Panel

Individual MCB circuit breaker per pump



Electrical Isolator

Separate tamperproof / lockable electrical isolator



Expansion Vessel Drain Valve

12 litre expansion vessel per pump complete with drain valve



Transducer

4 - 20mA 10 Bar transducer per pump



MODELS, DIMENSIONS & ELECTRICAL DATA

Flowboost F.H Range Booster Sets

MODEL	Kw Per Pump	F.L.C. AMPS Per Pump	Suction CONNECTION DN1	Discharge CONNECTION DN2	WIDTH mm	DEPTH mm	HEIGHT mm
Twin Pump Models							
flowboost 2V.F.H.3.0203	0.45	1.4	2"	1½"	650	745	1180
flowboost 2V.F.H.3.0204	0.55	1.6	2"	1½"	650	745	1180
flowboost 2V.F.H.3.0205	0.75	2.0	2"	1½"	650	745	1180
flowboost 2V.F.H.3.0206	1.1	2.7	2"	1½"	650	745	1180
flowboost 2V.F.H.3.0403	0.55	1.6	2"	1½"	650	745	1180
flowboost 2V.F.H.3.0404	0.75	2.0	2"	1½"	650	745	1180
flowboost 2V.F.H.3.0405	1.1	2.7	2"	1½"	650	745	1180
flowboost 2V.F.H.3.0406	1.5	3.6	2"	1½"	650	745	1180
flowboost 2V.F.H.3.0803	1.1	2.7	2½"	2"	650	950	1200
flowboost 2V.F.H.3.0804	1.5	3.6	2½"	2"	650	950	1200
flowboost 2V.F.H.3.0805	1.8	4.3	2½"	2"	650	950	1200
flowboost 2V.F.H.3.1602	1.5	3.6	3"	2½"	650	1100	1300
flowboost 2V.F.H.3.1603	1.8	4.3	3"	2½"	650	1100	1300
flowboost 2V.F.H.3.1604	3.0	6.6	3"	2½"	650	1100	1300
flowboost 2V.F.H.3.1605	3.7	9.6	3"	2½"	650	1100	1300
flowboost 2V.F.H.3.1606	4.0	9.6	3"	2½"	650	1100	1300
flowboost 2V.F.H.3.3201	2.2	5.3	DN100	DN80	900	1200	1525
flowboost 2V.F.H.3.3202	4.0	9.6	DN100	DN80	900	1200	1525
flowboost 2V.F.H.3.3203	5.5	10.8	DN100	DN80	900	1200	1525
flowboost 2V.F.H.3.3204	7.5	14.3	DN100	DN80	900	1200	1525
flowboost 2V.F.H.3.4801	3.0	6.6	DN125	DN100	900	1200	1575
flowboost 2V.F.H.3.4802	5.5	10.8	DN125	DN100	900	1200	1575
flowboost 2V.F.H.3.4803	7.5	14.3	DN125	DN100	900	1200	1575

MODELS, DIMENSIONS & ELECTRICAL DATA

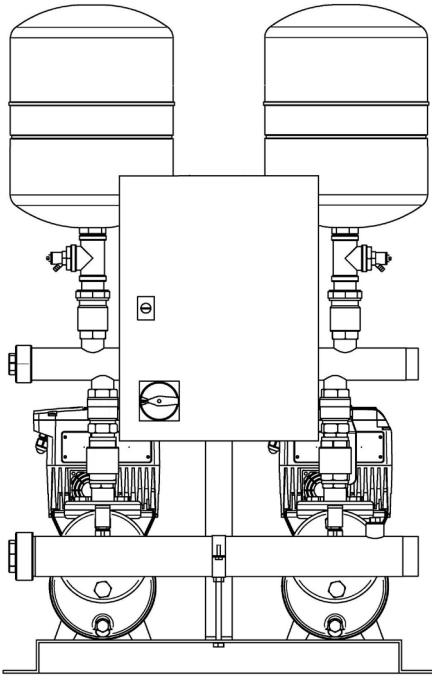
Flowboost F.H Range Booster Sets

MODEL	Kw Per Pump	F.L.C. AMPS Per Pump	Suction CONNECTION DN1	Discharge CONNECTION DN2	WIDTH mm	DEPTH mm	HEIGHT mm
Three Pump Models							
flowboost 3V.F.H.3.0203	0.45	1.4	2½"	2"	1000	800	1220
flowboost 3V.F.H.3.0204	0.55	1.6	2½"	2"	1000	800	1220
flowboost 3V.F.H.3.0205	0.75	2.0	2½"	2"	1000	800	1220
flowboost 3V.F.H.3.0206	1.1	2.7	2½"	2"	1000	800	1220
flowboost 3V.F.H.3.0403	0.55	1.6	2½"	2"	1000	800	1220
flowboost 3V.F.H.3.0404	0.75	2.0	2½"	2"	1000	800	1220
flowboost 3V.F.H.3.0405	1.1	2.7	2½"	2"	1000	800	1220
flowboost 3V.F.H.3.0406	1.5	3.6	2½"	2"	1000	800	1220
flowboost 3V.F.H.3.0803	1.1	2.7	3"	2½"	1000	950	1220
flowboost 3V.F.H.3.0804	1.5	3.6	3"	2½"	1000	950	1220
flowboost 3V.F.H.3.0805	1.8	4.3	3"	2½"	1000	950	1220
flowboost 3V.F.H.3.1602	1.5	3.6	DN100	DN80	1000	1200	1380
flowboost 3V.F.H.3.1603	1.8	4.3	DN100	DN80	1000	1200	1380
flowboost 3V.F.H.3.1604	3.0	6.6	DN100	DN80	1000	1200	1380
flowboost 3V.F.H.3.1605	3.7	9.6	DN100	DN80	1000	1200	1380
flowboost 3V.F.H.3.1606	4.0	9.6	DN100	DN80	1000	1200	1380
flowboost 3V.F.H.3.3201	2.2	5.3	DN125	DN100	1000	1300	1575
flowboost 3V.F.H.3.3202	4.0	9.6	DN125	DN100	1000	1300	1575
flowboost 3V.F.H.3.3203	5.5	10.8	DN125	DN100	1000	1300	1575
flowboost 3V.F.H.3.3204	7.5	14.3	DN125	DN100	1000	1300	1575
flowboost 3V.F.H.3.4801	3.0	6.6	DN150	DN125	1200	1300	1650
flowboost 3V.F.H.3.4802	5.5	10.8	DN150	DN125	1200	1300	1650
flowboost 3V.F.H.3.4803	7.5	14.3	DN150	DN125	1200	1300	1650

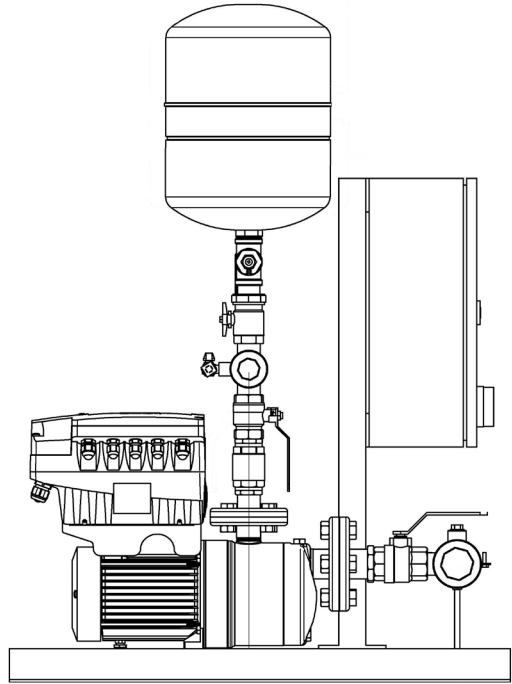


DIMENSIONAL DRAWINGS & **SCHEMATICS**

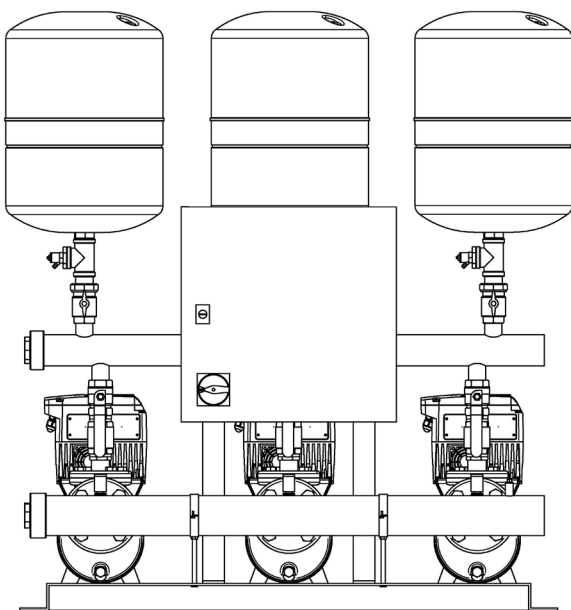
Flowboost F.H Range
Booster Sets



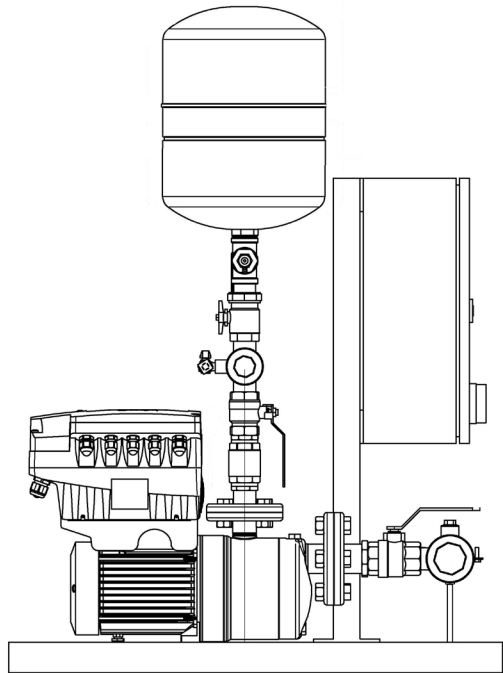
FRONT VIEW



SIDE VIEW



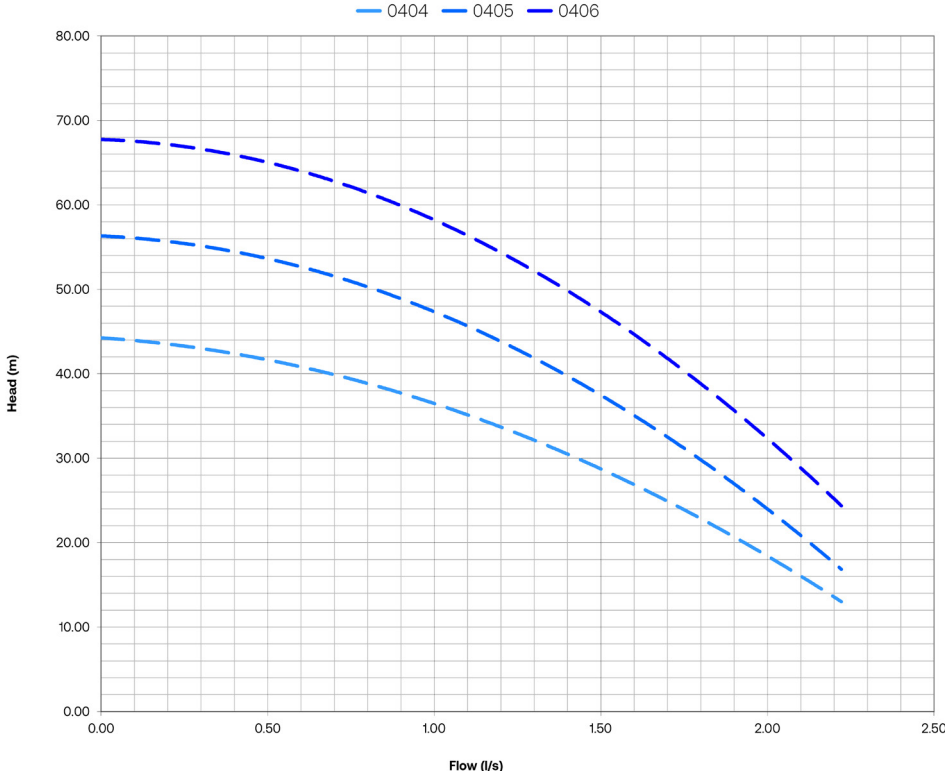
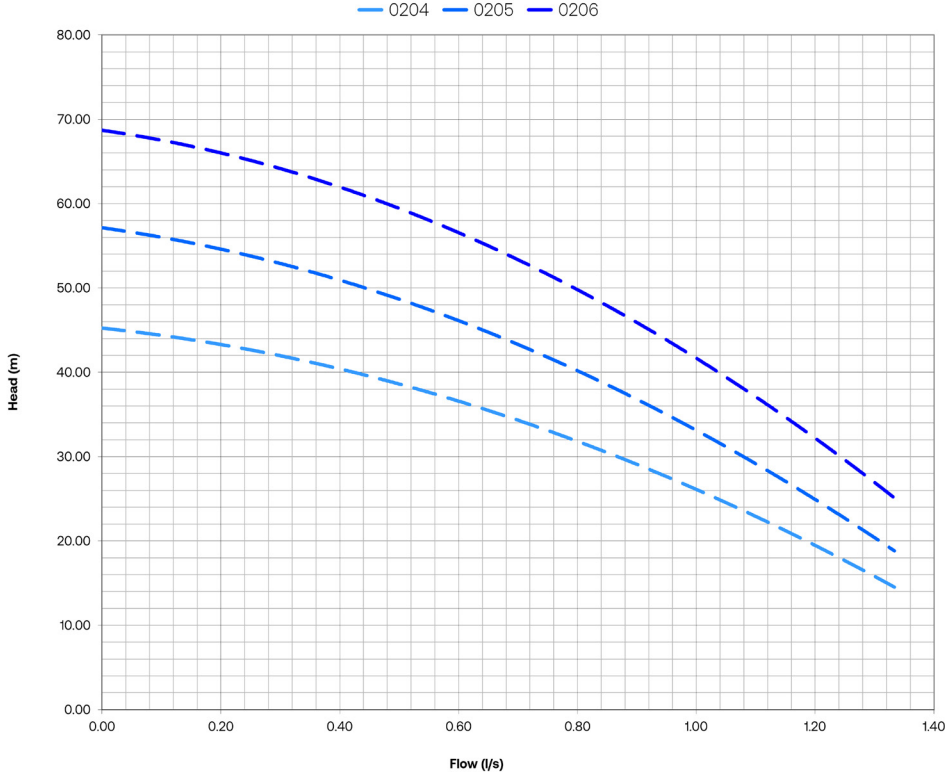
FRONT VIEW



SIDE VIEW

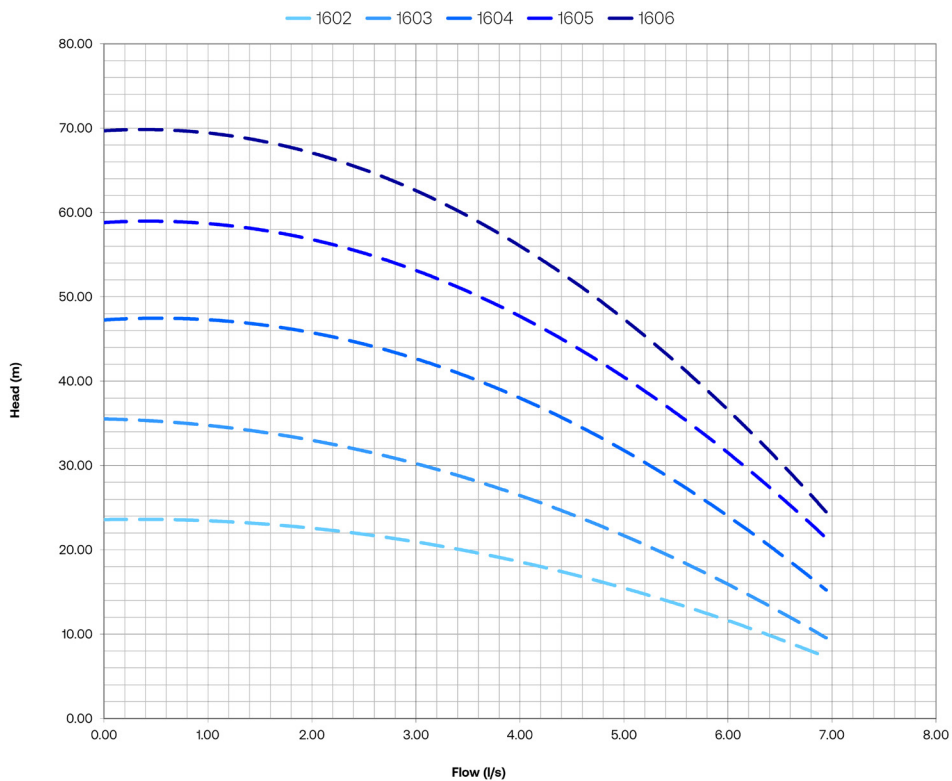
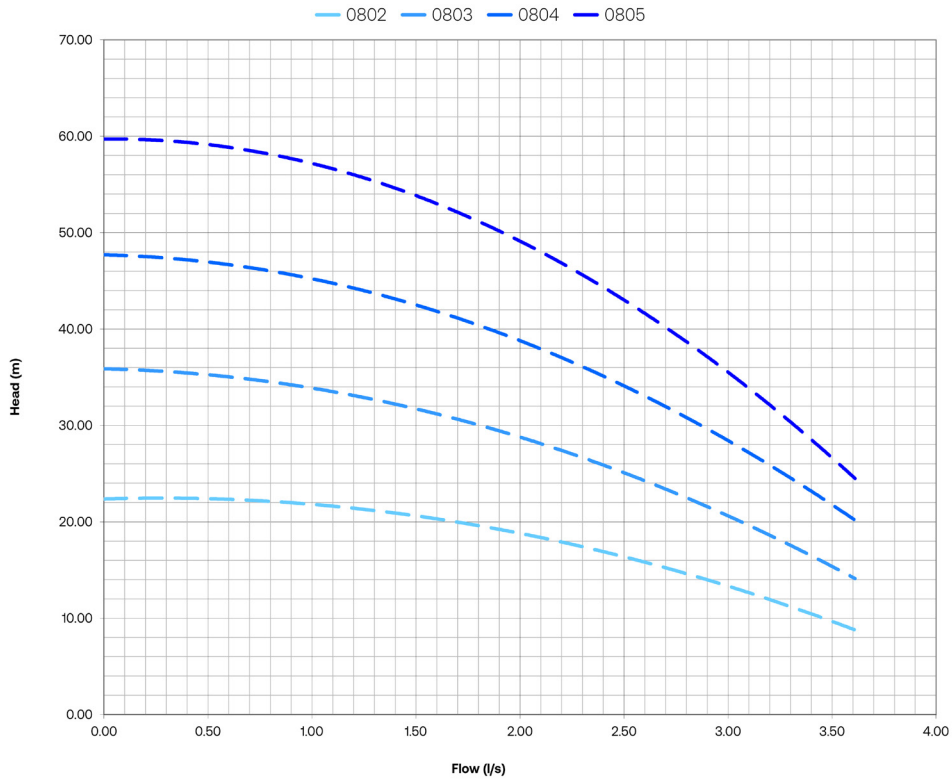
PERFORMANCE CURVE DATA

Flowboost. F.H Range
Booster Sets



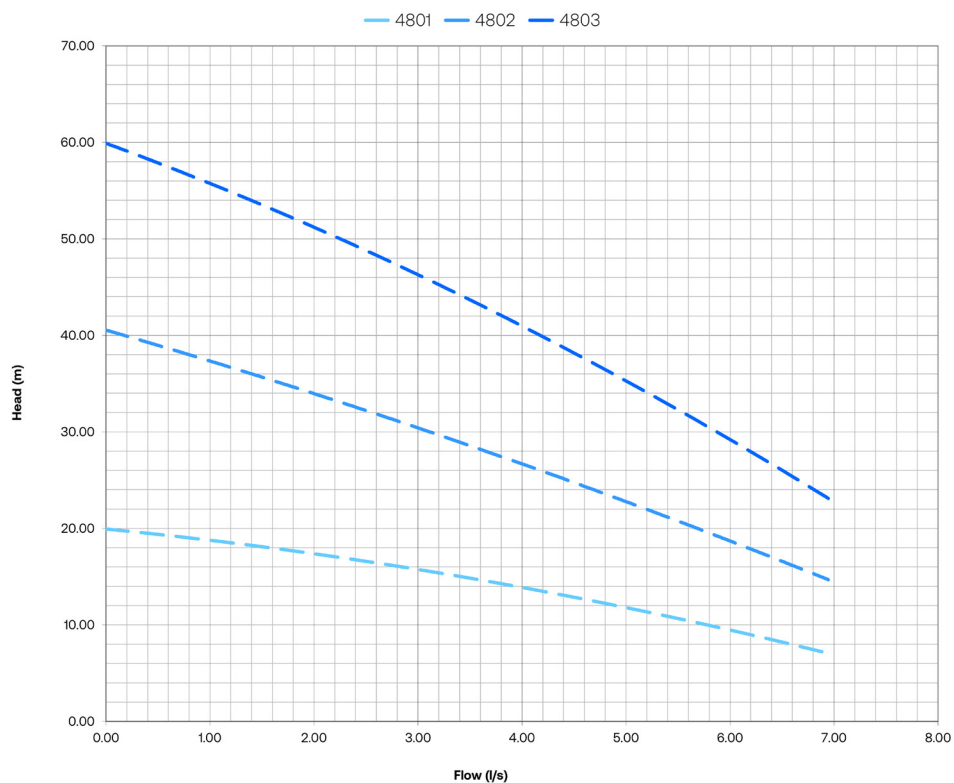
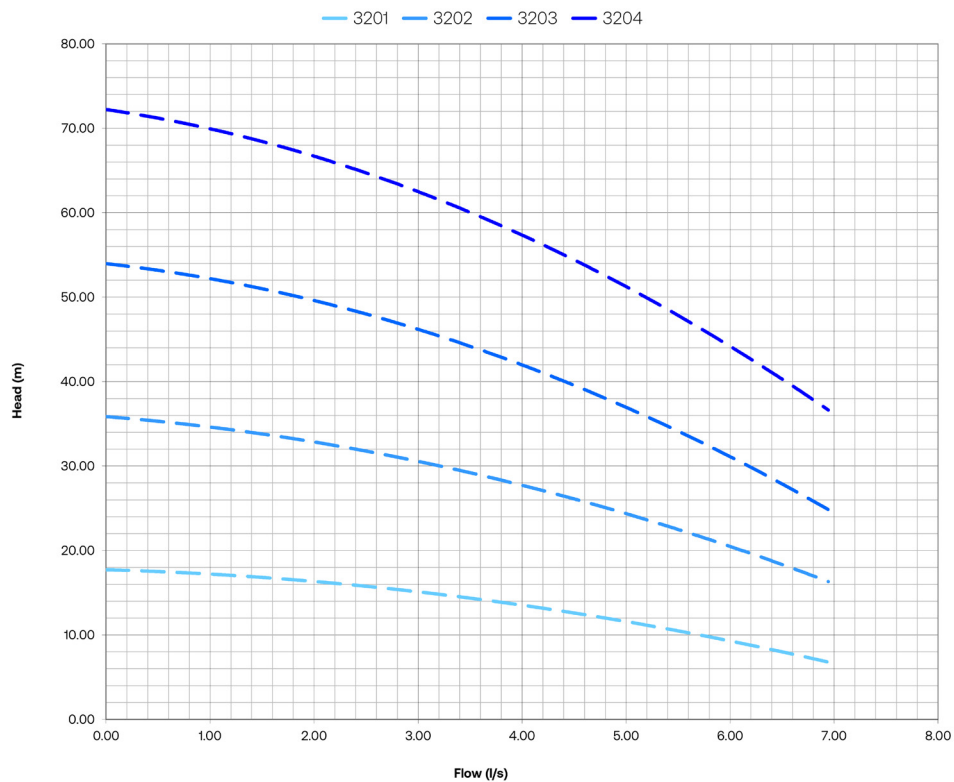
PERFORMANCE CURVE DATA

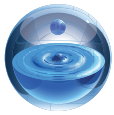
Flowboost F.H Range
Booster Sets



PERFORMANCE CURVE DATA

Flowboost F.H Range
Booster Sets





flowtech[®]
WATER SOLUTIONS

flowzone[®]

MEMBERS AREA

This section of the **flowtech**[®] website holds information exclusively for members. Members will need to log in to gain access to these pages.

Our member's will be granted exclusive access to our technical resource library. Within this resource is a wide range of product information including data sheets, technical drawings, O&M Manuals and training videos



flowcare[®]

AFTER SALES SERVICE

At **flowtech**[®] we operate a network of Service Engineers located throughout the UK who are supported by our offices located in Greater Manchester. The distribution of engineers means that in the majority of cases we are less than 4 hours away from attending a customer call out.

We place great emphasis on providing technical back up to support our Service Engineers in resolving some difficult operational and technical issues. We pride ourselves on completing a project on time, within budget and never leaving a problem unresolved, or a customer waiting. This quality of service has made us the first choice for our customers.

FOR FURTHER INFORMATION OR ASSISTANCE

contact us

Flowtech Water Solutions are experts in water services and water booster sets. We have continuously supplied a wide range of standard and custom products since being founded in 1996.

MANUFACTURE & SUPPLY

TELEPHONE : 0333 200 1756

EMAIL: info@flowtech.org.uk

SERVICE & MAINTENANCE

TELEPHONE : 0333 200 1813

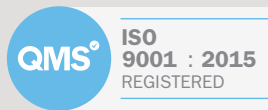
EMAIL: service@flowtech.org.uk

WEBSITE: www.flowtech.org.uk

ADDRESS : Unit 1 Lock Flight Buildings, Wheatlea Industrial Estate,
Wigan, Greater Manchester WN3 6XP United Kingdom



Membership No. 700106



Certificate No. 185352020