



flowboost[®]

G.H Range

Twin and Three Pump Booster Sets

DATA SHEET

First Publication Date: 01/09/2020

Revision: v1

Revision Date:



PRODUCT OVERVIEW

Flowboost G.H Range Booster Sets

Introducing the **flowboost** G.H Booster Set range, available as a single, twin or three pump sets with a choice of horizontal or vertical multistage pumps. Designed for water pressure boosting in residential and commercial applications. Using the latest technology to easily deliver water at the correct pressure and flow, each pump is equipped with an inverter that ensures the variable speed operation on all pumps.

- Flow rate upto 25 l/s
- Pressure upto 150m
- Ultra-premium IE5 permanent magnet motors for best-in-class efficiency
- Combined power drive system has the highest IES2 class
- Models available with suction and delivery manifolds on same side for a smaller footprint
- Communication via Modbus and BACnet capability
- Quiet performance
- Easy to install and commission
- Models available is single or three phase
- Low Water Level Protection



CE MARKED



304 STAINLESS
STEEL
MANIFOLDS



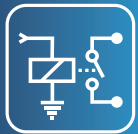
SINGLE PHASE



THREE PHASE



LED INVERTER
DISPLAY



COMMON VOLT
FREE EXTERNAL
BMS CONTACTS

This range is also
available with vertical
multistage pumps

PRODUCT DETAILED OVERVIEW

Flowboost G.H Range
Booster Sets



Inverter Control

Variable speed drive containing state of the art technology to optimise performance and efficiency.



Electrical Isolator

Separate tamperproof and lockable electrical isolator



Expansion Vessel & Drain Valve

12 or 24 litre expansion vessel per pump complete with drain valve.



Pressure Transducer

One pressure transducer per pump



MODELS, DIMENSIONS & ELECTRICAL DATA

Flowboost G.H Range Booster Sets

MODEL	Kw Per Pump	F.L.C. AMPS Per Pump 1 Phase	F.L.C. AMPS Per Pump 3 Phase	Suction CONNECTION DN1	Discharge CONNECTION DN2	WIDTH mm	DEPTH mm	HEIGHT mm
flowboost 1V.G.H.*0105	0.37	2.24	1.46	1"	1"	227	414	633
flowboost 1V.G.H.*0108	0.55	3.07	1.90	1"	1"	227	467	633
flowboost 1V.G.H.*0111	0.75	4.04	2.41	1"	1"	227	527	633
flowboost 1V.G.H.*0115	1.1	5.85	3.45	1"	1"	227	607	633
flowboost 1V.G.H.*0117	1.5	7.77	4.39	1"	1"	227	647	633
flowboost 1V.G.H.*0303	0.37	2.24	1.47	1"	1"	227	374	633
flowboost 1V.G.H.*0305	0.55	3.07	1.92	1"	1"	227	414	633
flowboost 1V.G.H.*0307	0.75	4.06	2.43	1"	1"	227	447	633
flowboost 1V.G.H.*0309	1.1	5.85	3.45	1"	1"	227	487	633
flowboost 1V.G.H.*0312	1.5	7.80	4.42	1"	1"	227	547	633
flowboost 1V.G.H.*0502	0.37	2.24	1.48	1 ¼"	1"	227	391	693
flowboost 1V.G.H.*0503	0.55	3.07	1.92	1 ¼"	1"	227	391	693
flowboost 1V.G.H.*0504	0.75	4.05	2.42	1 ¼"	1"	227	416	693
flowboost 1V.G.H.*0506	1.1	5.85	3.46	1 ¼"	1"	227	454	693
flowboost 1V.G.H.*0508	1.5	7.82	4.44	1 ¼"	1"	227	504	693
flowboost 1V.G.H.*0510	2.2	N/A	5.87	1 ¼"	1"	227	554	693
flowboost 1V.G.H.*1001	0.75	3.80	2.24	1 ½"	1 ¼"	227	422	702
flowboost 1V.G.H.*1002	1.1	5.85	3.45	1 ½"	1 ¼"	227	422	702
flowboost 1V.G.H.*1003	1.5	7.81	4.43	1 ½"	1 ¼"	227	422	702
flowboost 1V.G.H.*1004	2.2	N/A	5.87	1 ½"	1 ¼"	227	454	702
flowboost 1V.G.H.*1501	1.1	5.85	3.45	2"	1 ½"	227	457	702
flowboost 1V.G.H.*1502	1.5	7.85	4.47	2"	1 ½"	227	457	702
flowboost 1V.G.H.*1503	2.2	N/A	5.80	2"	1 ½"	227	505	702

MODELS, DIMENSIONS & ELECTRICAL DATA

Flowboost G.H Range Twin Pump Booster Sets

MODEL	Kw Per Pump	F.L.C. AMPS Per Pump 1 Phase	F.L.C. AMPS Per Pump 3 Phase	Suction CONNECTION DN1	Discharge CONNECTION DN2	WIDTH mm	DEPTH mm	HEIGHT mm
flowboost 2VG.H*.0105	0.37	2.24	1.46	2"	2"	560	776	1008
flowboost 2VG.H*.0108	0.55	3.07	1.90	2"	2"	560	830	1090
flowboost 2VG.H*.0111	0.75	4.04	2.41	2"	2"	560	890	1090
flowboost 2VG.H*.0115	1.1	5.85	3.45	2"	2"	560	970	1090
flowboost 2VG.H*.0117	1.5	7.77	4.39	2"	2"	560	1010	1090
flowboost 2VG.H*.0303	0.37	2.24	1.47	2"	2"	560	736	1008
flowboost 2VG.H*.0305	0.55	3.07	1.92	2"	2"	560	776	1008
flowboost 2VG.H*.0307	0.75	4.06	2.43	2"	2"	560	810	1090
flowboost 2VG.H*.0309	1.1	5.85	3.45	2"	2"	560	850	1090
flowboost 2VG.H*.0312	1.5	7.80	4.42	2"	2"	560	910	1090
flowboost 2VG.H*.0502	0.37	2.24	1.48	2"	2"	560	772	1053
flowboost 2VG.H*.0503	0.55	3.07	1.92	2"	2"	560	772	1053
flowboost 2VG.H*.0504	0.75	4.05	2.42	2"	2"	560	797	1053
flowboost 2VG.H*.0506	1.1	5.85	3.46	2"	2"	560	836	1151
flowboost 2VG.H*.0508	1.5	7.82	4.44	2"	2"	560	886	1151
flowboost 2VG.H*.0510	2.2	N/A	5.87	2"	2"	560	891	1151
flowboost 2VG.H*.1001	0.75	3.80	2.24	2½"	2½"	560	787	1211
flowboost 2VG.H*.1002	1.1	5.85	3.45	2½"	2½"	560	787	1211
flowboost 2VG.H*.1003	1.5	7.81	4.43	2½"	2½"	560	787	1211
flowboost 2VG.H*.1004	2.2	N/A	5.87	2½"	2½"	560	819	1211
flowboost 2VG.H*.1501	1.1	5.85	3.45	3"	3"	560	870	1251
flowboost 2VG.H*.1502	1.5	7.85	4.47	3"	3"	560	870	1251
flowboost 2VG.H*.1503	2.2	N/A	5.80	3"	3"	560	870	1251



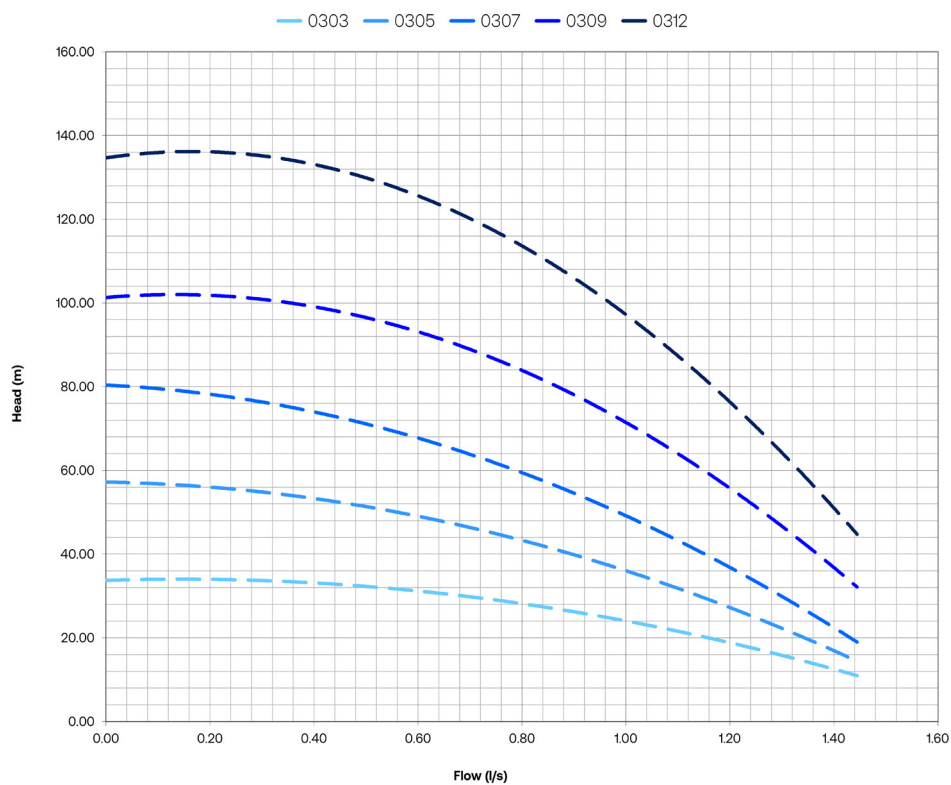
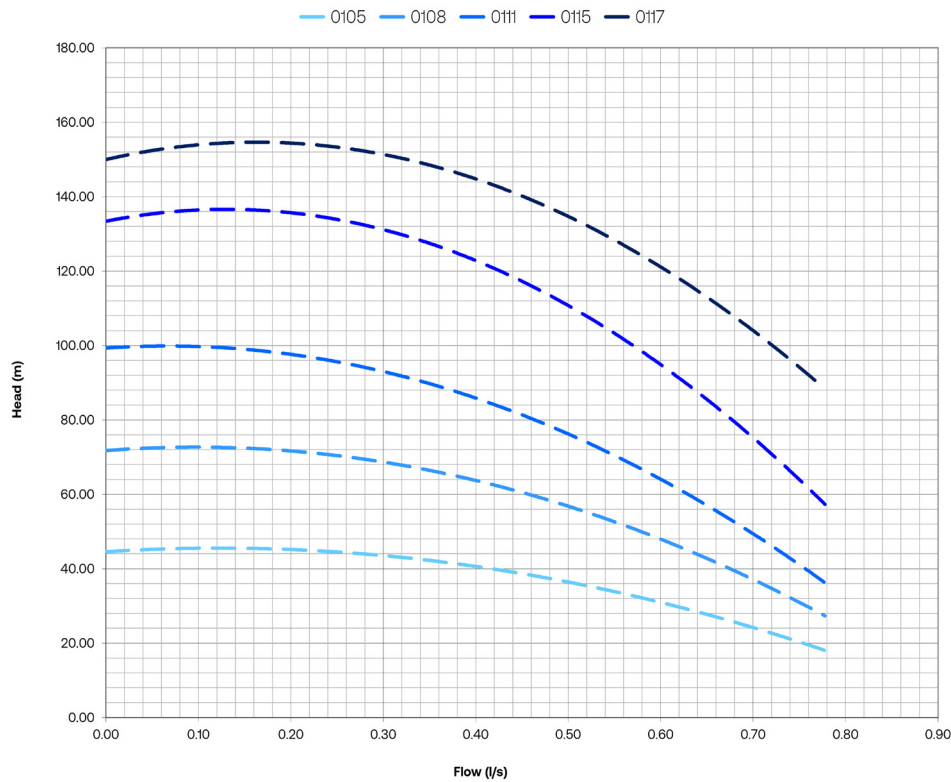
MODELS, DIMENSIONS & ELECTRICAL DATA

Flowboost G.H Range Three Pump Booster Sets

MODEL	Kw Per Pump	F.L.C. AMPS Per Pump 1 Phase	F.L.C. AMPS Per Pump 3 Phase	Suction CONNECTION DN1	Discharge CONNECTION DN2	WIDTH mm	DEPTH mm	HEIGHT mm
flowboost 3VG.H*0105	0.37	2.24	1.46	2"	2"	860	777	1008
flowboost 3VG.H*0108	0.55	3.07	1.90	2"	2"	860	830	1090
flowboost 3VG.H*0111	0.75	4.04	2.41	2"	2"	860	890	1090
flowboost 3VG.H*0115	1.1	5.85	3.45	2"	2"	860	970	1090
flowboost 3VG.H*0117	1.5	7.77	4.39	2"	2"	860	1010	1090
flowboost 3VG.H*0303	0.37	2.24	1.47	2"	2"	860	737	1008
flowboost 3VG.H*0305	0.55	3.07	1.92	2"	2"	860	777	1008
flowboost 3VG.H*0307	0.75	4.06	2.43	2"	2"	860	810	1090
flowboost 3VG.H*0309	1.1	5.85	3.45	2"	2"	860	850	1090
flowboost 3VG.H*0312	1.5	7.80	4.42	2"	2"	860	910	1090
flowboost 3VG.H*0502	0.37	2.24	1.48	2"	2"	860	773	1069
flowboost 3VG.H*0503	0.55	3.07	1.92	2"	2"	860	773	1069
flowboost 3VG.H*0504	0.75	4.05	2.42	2"	2"	860	798	1069
flowboost 3VG.H*0506	1.1	5.85	3.46	2"	2"	860	836	1151
flowboost 3VG.H*0508	1.5	7.82	4.44	2"	2"	860	886	1151
flowboost 3VG.H*0510	2.2	N/A	5.87	2"	2"	860	901	1151
flowboost 3VG.H*1001	0.75	3.80	2.24	2½"	2½"	860	832	1211
flowboost 3VG.H*1002	1.1	5.85	3.45	2½"	2½"	860	832	1211
flowboost 3VG.H*1003	1.5	7.81	4.43	2½"	2½"	860	832	1211
flowboost 3VG.H*1004	2.2	N/A	5.87	2½"	2½"	860	829	1211
flowboost 3VG.H*1501	1.1	5.85	3.45	4"	3"	860	910	1251
flowboost 3VG.H*1502	1.5	7.85	4.47	4"	3"	860	910	1251
flowboost 3VG.H*1503	2.2	N/A	5.80	4"	3"	860	936	1251

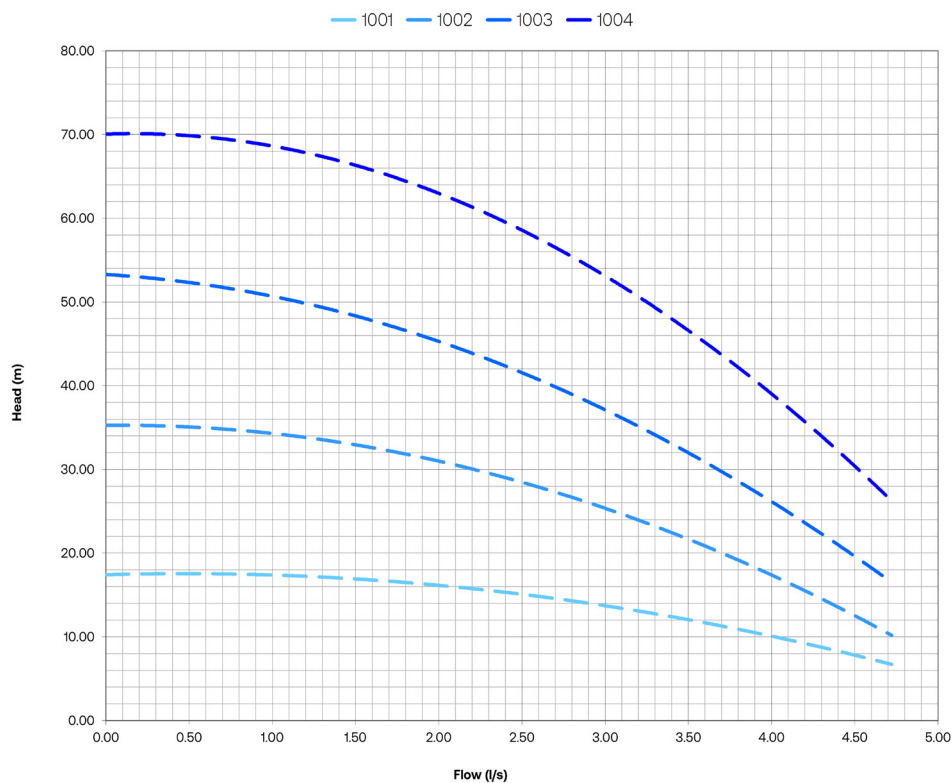
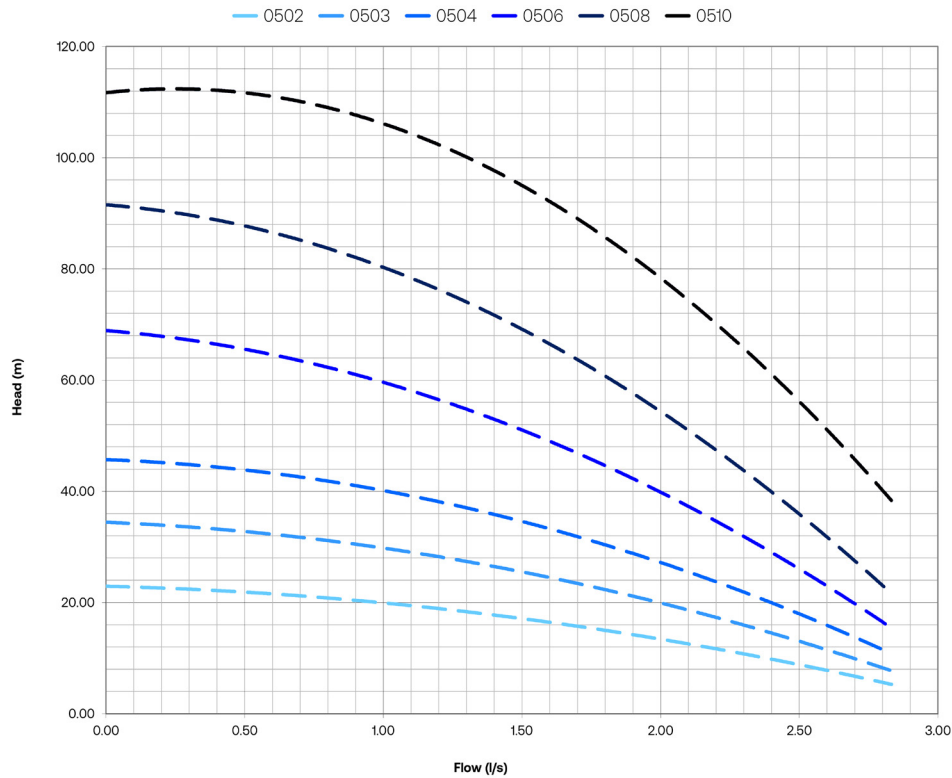
PERFORMANCE CURVE DATA

Flowboost. G.H Range
Booster Sets



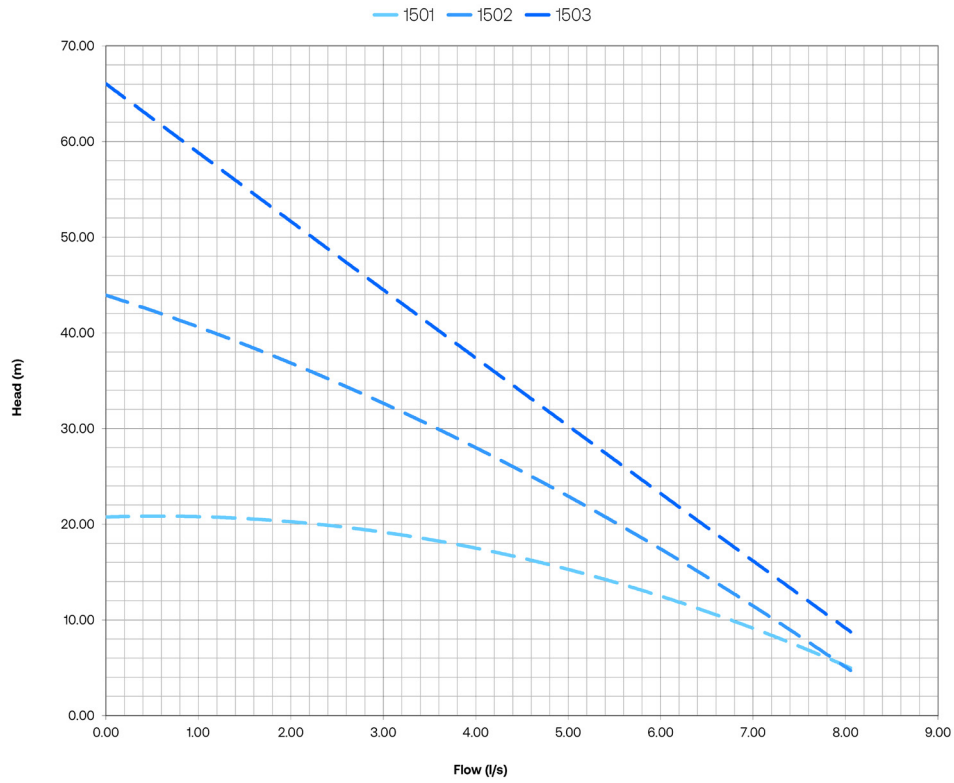
PERFORMANCE CURVE DATA

Flowboost. G.H Range
Booster Sets



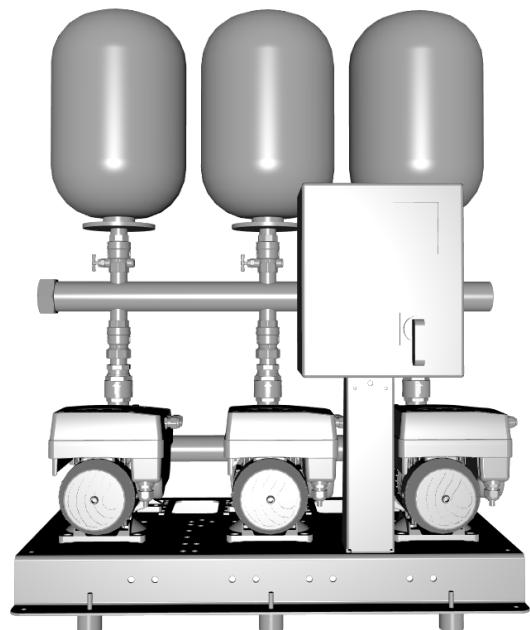
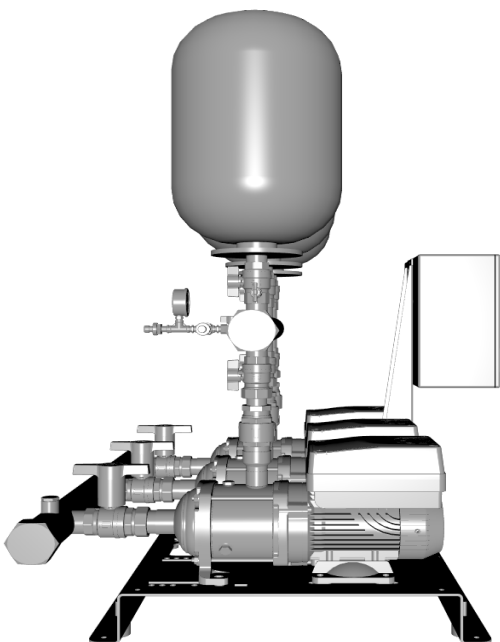
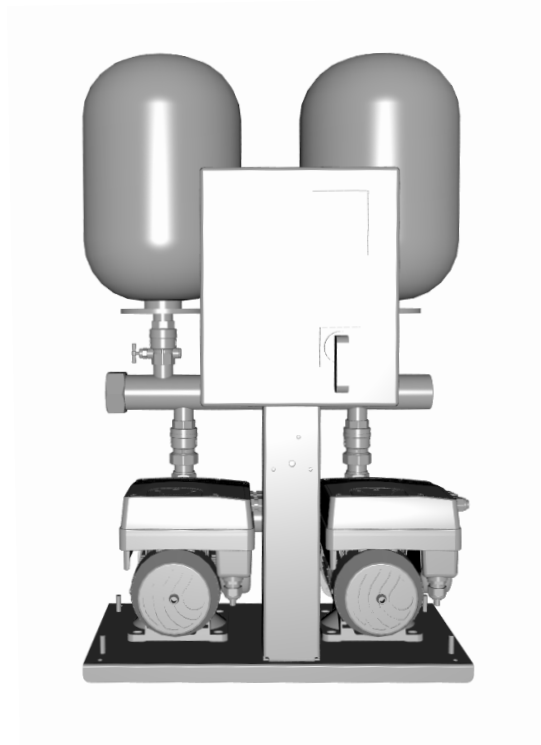
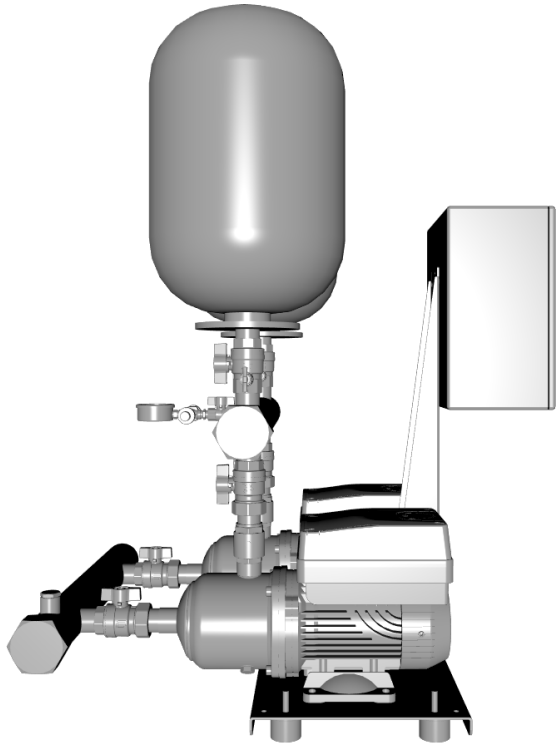
PERFORMANCE CURVE DATA

Flowboost. G.H Range
Booster Sets



DIMENSIONAL DRAWINGS & **SCHEMATICS**

Flowboost G.H Range
Booster Sets





flowtech[®]
WATER SOLUTIONS

flowzone[®]

MEMBERS AREA

This section of the **flowtech**[®] website holds information exclusively for members. Members will need to log in to gain access to these pages.

Our member's will be granted exclusive access to our technical resource library. Within this resource is a wide range of product information including data sheets, technical drawings, O&M Manuals and training videos



flowcare[®]

AFTER SALES SERVICE

At **flowtech**[®] we operate a network of Service Engineers located throughout the UK who are supported by our offices located in Greater Manchester. The distribution of engineers means that in the majority of cases we are less than 4 hours away from attending a customer call out.

We place great emphasis on providing technical back up to support our Service Engineers in resolving some difficult operational and technical issues. We pride ourselves on completing a project on time, within budget and never leaving a problem unresolved, or a customer waiting. This quality of service has made us the first choice for our customers.

FOR FURTHER INFORMATION OR ASSISTANCE

contact us

Flowtech Water Solutions are experts in water services and water booster sets. We have continuously supplied a wide range of standard and custom products since being founded in 1996.

MANUFACTURE & SUPPLY

TELEPHONE : 0333 200 1756

EMAIL: info@flowtech.org.uk

SERVICE & MAINTENANCE

TELEPHONE : 0333 200 1813

EMAIL: service@flowtech.org.uk

WEBSITE: www.flowtech.org.uk

ADDRESS : Unit 1 Lock Flight Buildings, Wheatlea Industrial Estate,
Wigan, Greater Manchester WN3 6XP United Kingdom

