

flowboost[®]

G.V F Range

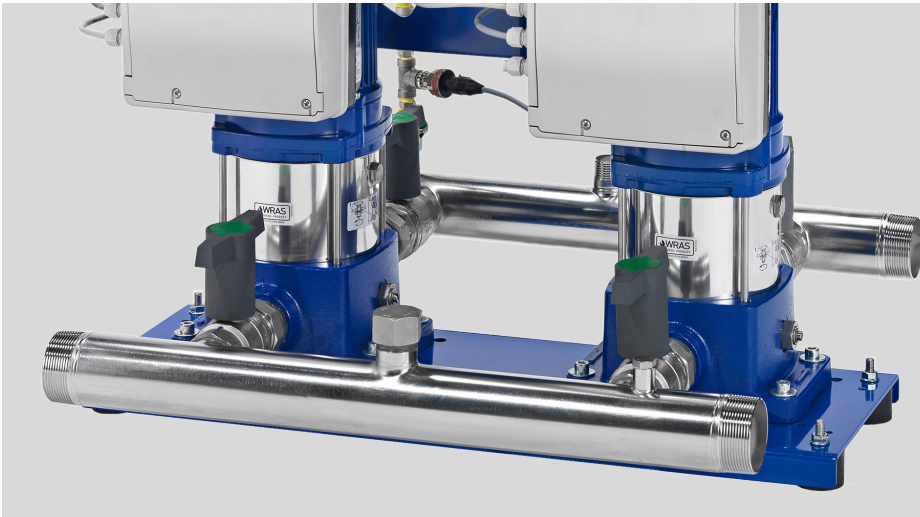
Twin and Three Pump Booster Sets

DATA SHEET

First Publication Date: 01/09/2020

Revision: v1

Revision Date:



PRODUCT OVERVIEW

Flowboost G.V F Range Booster Sets

Introducing the **flowboost** G.V F Booster Set range, available as a single, twin or three pump set with a choice of horizontal or vertical multistage pumps. Designed for water pressure boosting in residential and light commercial applications. Using the latest technology to easily deliver water at the correct pressure and flow, each pump is equipped with an inverter that ensures the variable speed operation on all pumps.

- Flow rate upto 25 l/s
- Pressure upto 150m
- Ultra-premium IE5 permanent magnet motors for best-in-class efficiency
- Combined power drive system has the highest IES2 class
- Models available with suction and delivery manifolds on same side for a smaller footprint
- Communication via Modbus and BACnet capability
- Quiet performance
- Easy to install and commission
- Models available is single or three phase
- Low Water Level Protection



CE MARKED



304 STAINLESS
STEEL
MANIFOLDS



SINGLE PHASE



THREE PHASE



LED INVERTER
DISPLAY



COMMON VOLT
FREE EXTERNAL
BMS CONTACTS

This range is also
available with
horizontal multistage
pumps

PRODUCT DETAILED OVERVIEW

Flowboost G.V F Range
Booster Sets



Electrical Panel

Variable speed drive containing state of the art technology to optimise performance and efficiency.



Electrical Isolator

Separate tamperproof and lockable electrical isolator



Expansion Vessel & Drain Valve

12/24 litre expansion vessel per pump complete with drain valve.



Pressure Transducers

One transducer for each pump on the set.



MODELS, DIMENSIONS & ELECTRICAL DATA

Flowboost G.V F Range Single Pump Booster Sets

MODEL	Kw Per Pump	F.L.C. AMPS Per Pump 1 Phase	F.L.C. AMPS Per Pump 3 Phase	Suction CONNECTION DN1	Discharge CONNECTION DN2	WIDTH mm	DEPTH mm	HEIGHT mm
flowboost 1V.G.V*.F.0105	0.37	2.24	1.45	1"	1"	340	611	660
flowboost 1V.G.V*.F.0108	0.55	3.07	1.90	1"	1"	340	611	720
flowboost 1V.G.V*.F.0111	0.75	4.04	2.40	1"	1"	340	611	780
flowboost 1V.G.V*.F.0115	1.1	5.85	3.45	1"	1"	340	611	860
flowboost 1V.G.V*.F.0303	0.37	2.24	1.47	1"	1"	340	611	620
flowboost 1V.G.V*.F.0305	0.55	3.08	1.92	1"	1"	340	611	660
flowboost 1V.G.V*.F.0307	0.75	4.04	2.43	1"	1"	340	611	700
flowboost 1V.G.V*.F.0309	1.1	5.85	3.45	1"	1"	340	611	740
flowboost 1V.G.V*.F.0311	1.5	7.80	4.42	1"	1"	340	611	780
flowboost 1V.G.V*.F.0502	0.37	2.24	1.48	1 ¼"	1 ¼"	340	621	610
flowboost 1V.G.V*.F.0503	0.55	3.07	1.92	1 ¼"	1 ¼"	340	621	635
flowboost 1V.G.V*.F.0504	0.75	4.05	2.42	1 ¼"	1 ¼"	340	621	660
flowboost 1V.G.V*.F.0506	1.1	5.86	3.45	1 ¼"	1 ¼"	340	621	710
flowboost 1V.G.V*.F.0508	1.5	7.81	4.42	1 ¼"	1 ¼"	340	621	760
flowboost 1V.G.V*.F.1001	0.55	3.07	1.90	1 ½"	1 ½"	340	630	689
flowboost 1V.G.V*.F.1002	1.1	5.85	3.45	1 ½"	1 ½"	340	630	689
flowboost 1V.G.V*.F.1003	1.5	7.81	4.43	1 ½"	1 ½"	340	630	721
flowboost 1V.G.V*.F.1004	2.2	N/A	5.86	1 ½"	1 ½"	340	630	753
flowboost 1V.G.V*.F.1501	1.1	5.85	3.45	2"	2"	340	709	741
flowboost 1V.G.V*.F.1502	1.5	7.71	5.87	2"	2"	340	709	741
flowboost 1V.G.V*.F.2201	1.1	5.87	3.47	2"	2"	340	709	741
flowboost 1V.G.V*.F.2202	1.5	7.56	5.91	2"	2"	340	709	741

MODELS, DIMENSIONS & ELECTRICAL DATA

Flowboost G.V F Range Twin Pump Booster Sets

MODEL	Kw Per Pump	F.L.C. AMPS Per Pump 1 Phase	F.L.C. AMPS Per Pump 3 Phase	Suction CONNECTION DN1	Discharge CONNECTION DN2	WIDTH mm	DEPTH mm	HEIGHT mm
flowboost 2VG.V*.F0105	0.37	2.24	1.45	2"	2"	682	636	988
flowboost 2VG.V*.F0108	0.55	3.07	1.90	2"	2"	682	636	1048
flowboost 2VG.V*.F0111	0.75	4.04	2.40	2"	2"	682	636	1108
flowboost 2VG.V*.F0115	1.1	5.85	3.45	2"	2"	682	636	1188
flowboost 2VG.V*.F0303	0.37	2.24	1.47	2"	2"	682	636	948
flowboost 2VG.V*.F0305	0.55	3.08	1.92	2"	2"	682	636	988
flowboost 2VG.V*.F0307	0.75	4.04	2.43	2"	2"	682	636	1028
flowboost 2VG.V*.F0309	1.1	5.85	3.45	2"	2"	682	636	1068
flowboost 2VG.V*.F0311	1.5	7.80	4.42	2"	2"	682	636	1108
flowboost 2VG.V*.F0502	0.37	2.24	1.48	2"	2"	682	658	938
flowboost 2VG.V*.F0503	0.55	3.07	1.92	2"	2"	682	658	963
flowboost 2VG.V*.F0504	0.75	4.05	2.42	2"	2"	682	658	988
flowboost 2VG.V*.F0506	1.1	5.86	3.45	2"	2"	682	658	1038
flowboost 2VG.V*.F0508	1.5	7.81	4.42	2"	2"	682	658	1088
flowboost 2VG.V*.F1001	0.55	3.07	1.90	2½"	2½"	682	726	1017
flowboost 2VG.V*.F1002	1.1	5.85	3.45	2½"	2½"	682	726	1017
flowboost 2VG.V*.F1003	1.5	7.81	4.43	2½"	2½"	682	726	1049
flowboost 2VG.V*.F1004	2.2	N/A	5.86	2½"	2½"	682	726	1081
flowboost 2VG.V*.F1501	1.1	5.85	3.45	3"	3"	682	851	1145
flowboost 2VG.V*.F1502	1.5	7.71	5.87	3"	3"	682	851	1145
flowboost 2VG.V*.F2201	1.1	5.87	3.47	3"	3"	682	851	1145
flowboost 2VG.V*.F2202	1.5	7.56	5.91	3"	3"	682	851	1145



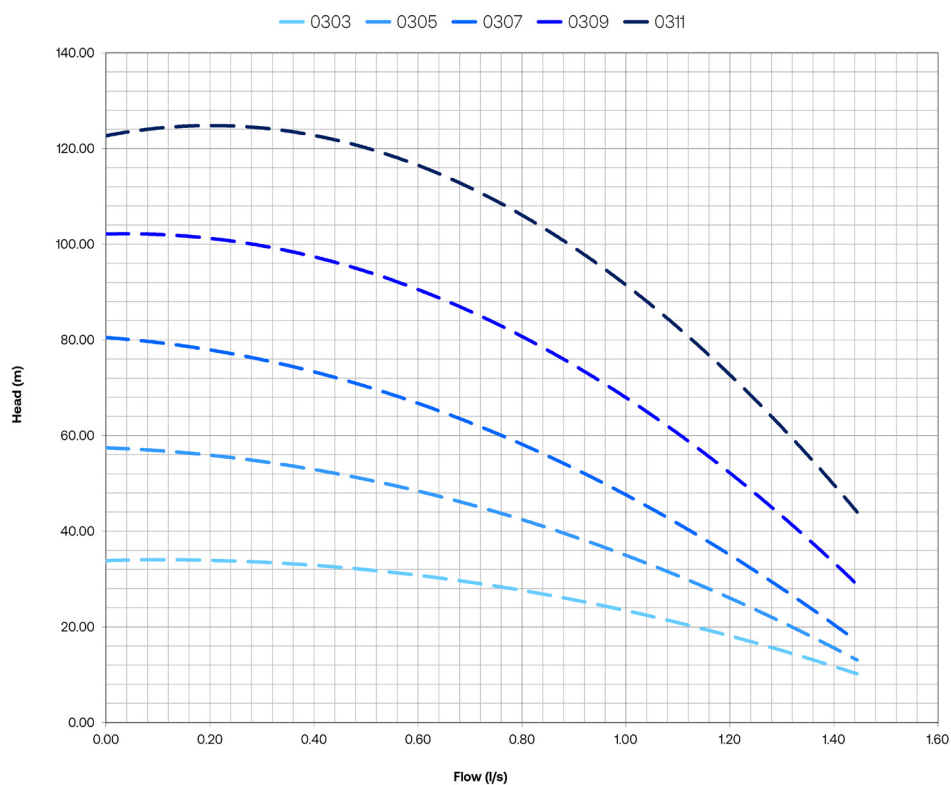
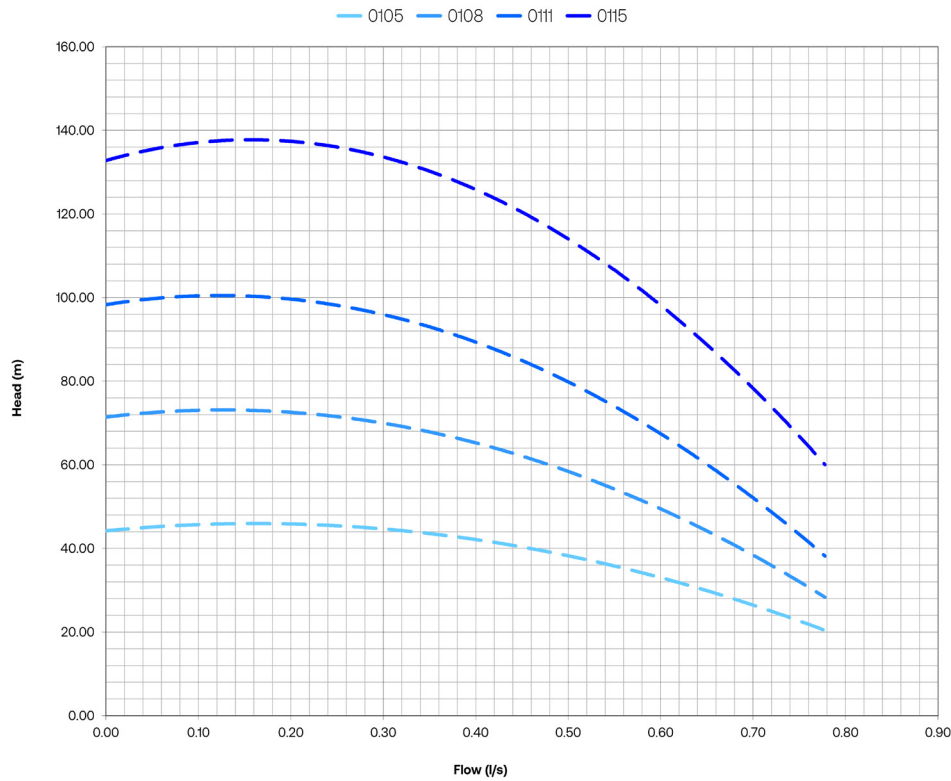
MODELS, DIMENSIONS & ELECTRICAL DATA

Flowboost G.V F Range
Three Pump Booster Sets

MODEL	Kw Per Pump	F.L.C. AMPS Per Pump 1 Phase	F.L.C. AMPS Per Pump 3 Phase	Suction CONNECTION DN1	Discharge CONNECTION DN2	WIDTH mm	DEPTH mm	HEIGHT mm
flowboost 3V.G.V.*F.0105	0.37	2.24	1.45	2"	2"	995	627	976
flowboost 3V.G.V.*F.0108	0.55	3.07	1.90	2"	2"	995	627	1036
flowboost 3V.G.V.*F.0111	0.75	4.04	2.40	2"	2"	995	627	1096
flowboost 3V.G.V.*F.0115	1.1	5.85	3.45	2"	2"	995	627	1176
flowboost 3V.G.V.*F.0303	0.37	2.24	1.47	2"	2"	995	627	936
flowboost 3V.G.V.*F.0305	0.55	3.08	1.92	2"	2"	995	627	976
flowboost 3V.G.V.*F.0307	0.75	4.04	2.43	2"	2"	995	627	1016
flowboost 3V.G.V.*F.0309	1.1	5.85	3.45	2"	2"	995	627	1056
flowboost 3V.G.V.*F.0311	1.5	7.80	4.42	2"	2"	995	627	1096
flowboost 3V.G.V.*F.0502	0.37	2.24	1.48	2"	2"	995	649	926
flowboost 3V.G.V.*F.0503	0.55	3.07	1.92	2"	2"	995	649	951
flowboost 3V.G.V.*F.0504	0.75	4.05	2.42	2"	2"	995	649	976
flowboost 3V.G.V.*F.0506	1.1	5.86	3.45	2"	2"	995	649	1026
flowboost 3V.G.V.*F.0508	1.5	7.81	4.42	2"	2"	995	649	1076
flowboost 3V.G.V.*F.1001	0.55	5.85	3.45	2½"	2½"	995	726	1005
flowboost 3V.G.V.*F.1002	1.1	7.81	4.43	2½"	2½"	995	726	1005
flowboost 3V.G.V.*F.1003	1.5	N/A	5.86	2½"	2½"	995	726	1037
flowboost 3V.G.V.*F.1004	2.2	5.85	3.45	2½"	2½"	995	726	1069
flowboost 3V.G.V.*F.1501	1.1	7.71	5.87	DN100	DN80	995	984	1057
flowboost 3V.G.V.*F.1502	2.2	5.87	3.47	DN100	DN80	995	984	1057
flowboost 3V.G.V.*F.2201	1.1	7.56	5.91	DN100	DN80	995	984	1057
flowboost 3V.G.V.*F.2202	2.2	7.56	5.91	DN100	DN80	995	984	1057

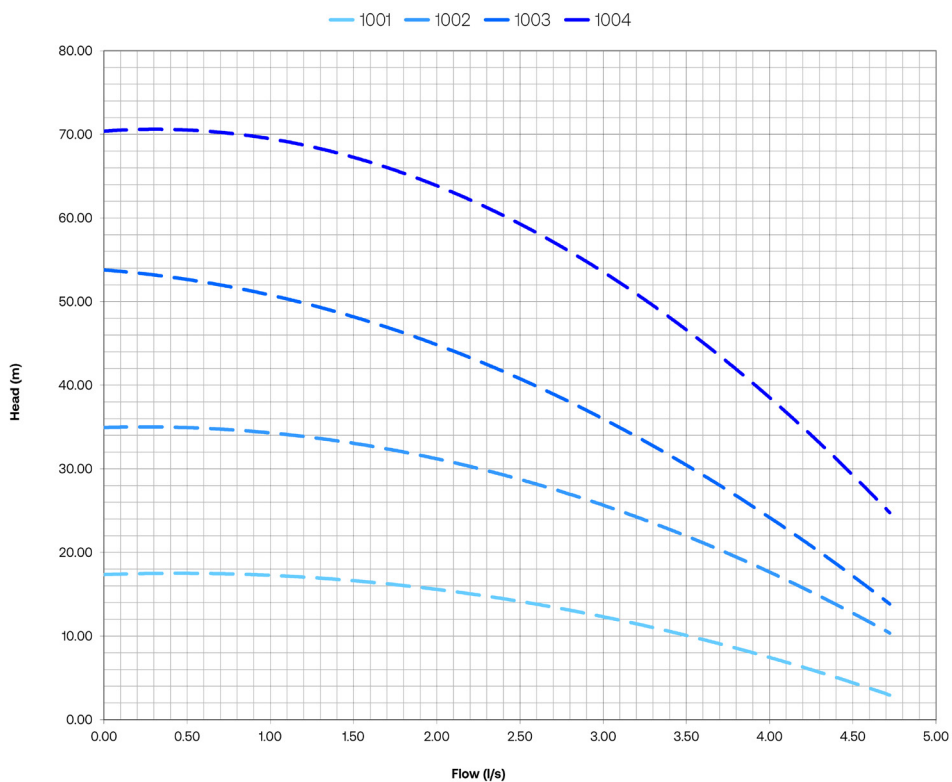
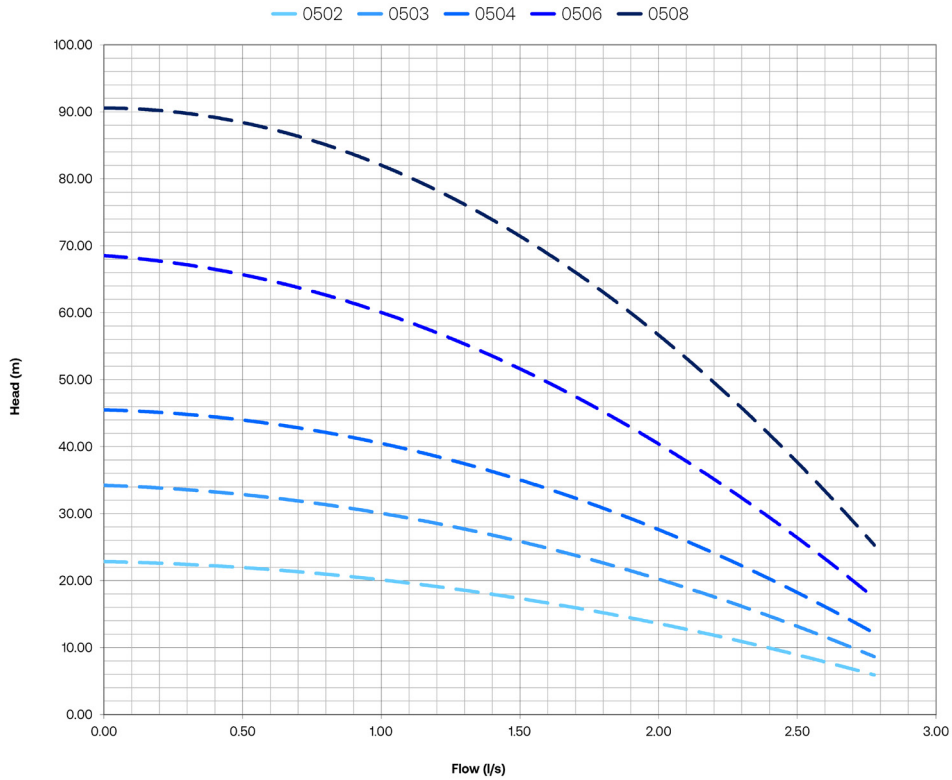
PERFORMANCE CURVE DATA

Flowboost. G.V F Range
Booster Sets



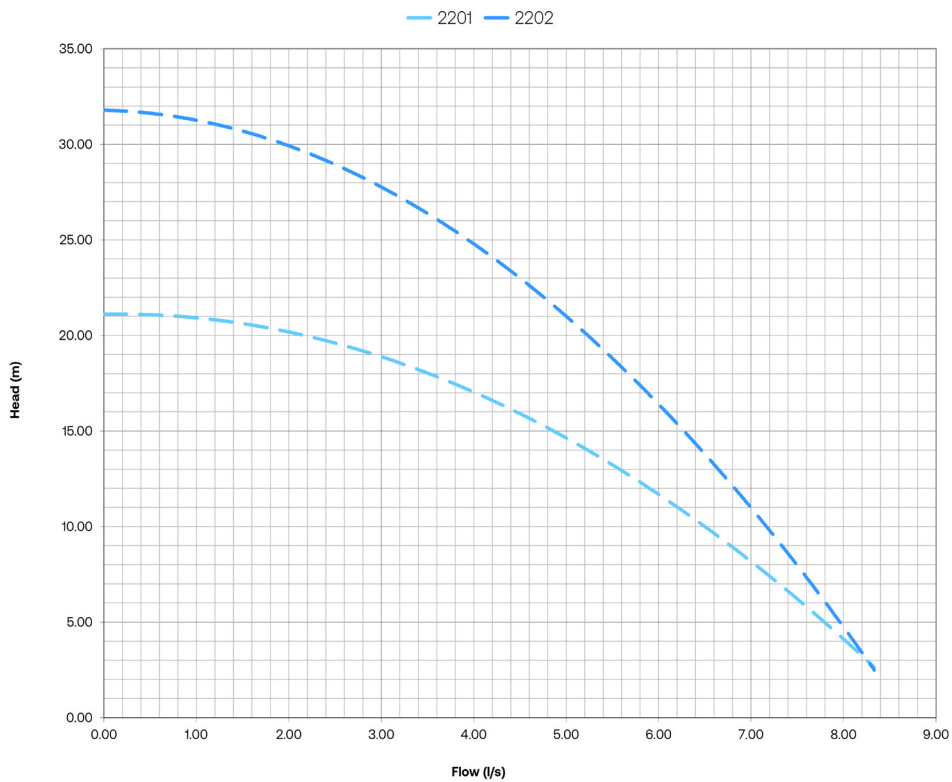
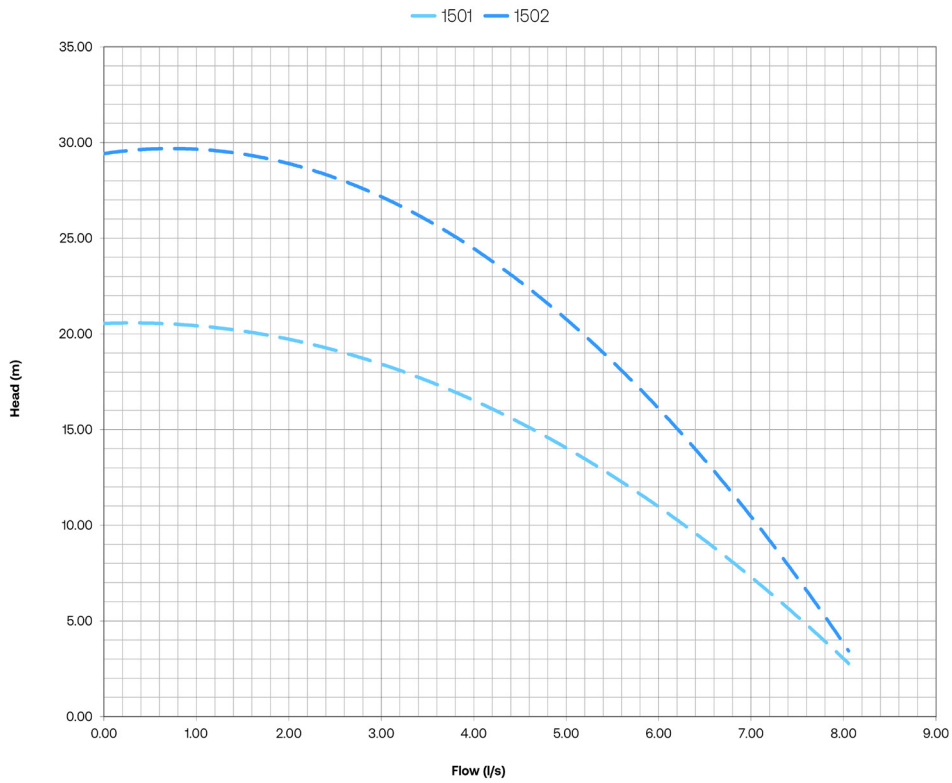
PERFORMANCE CURVE DATA

Flowboost. G.V F Range
Booster Sets



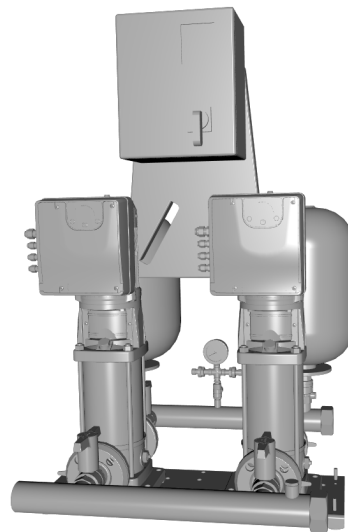
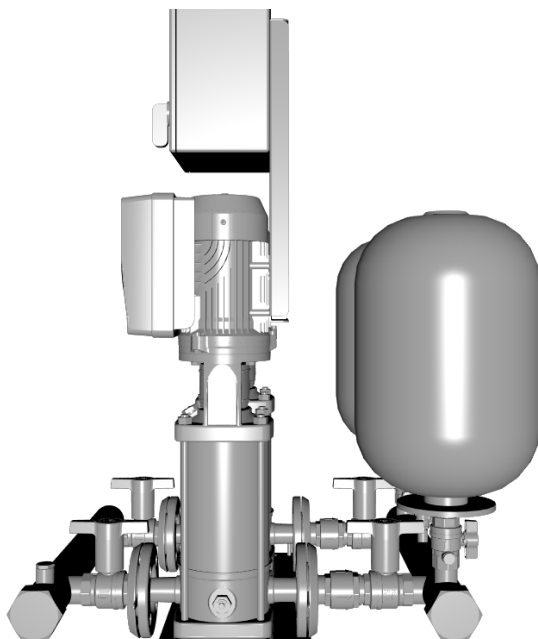
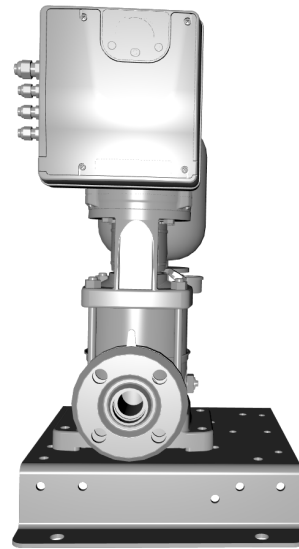
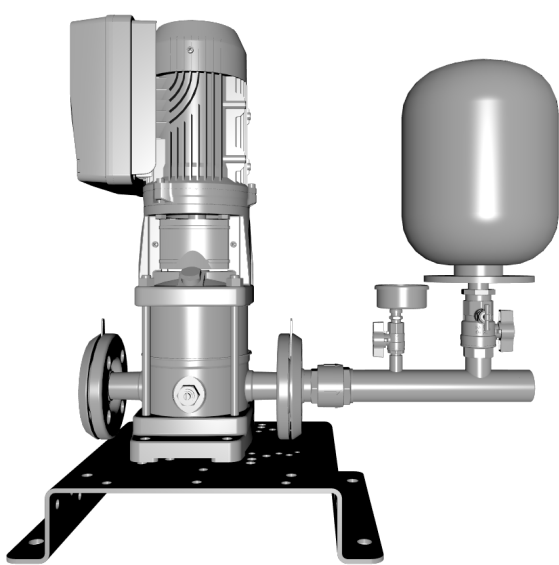
PERFORMANCE CURVE DATA

Flowboost. G.V F Range
Booster Sets



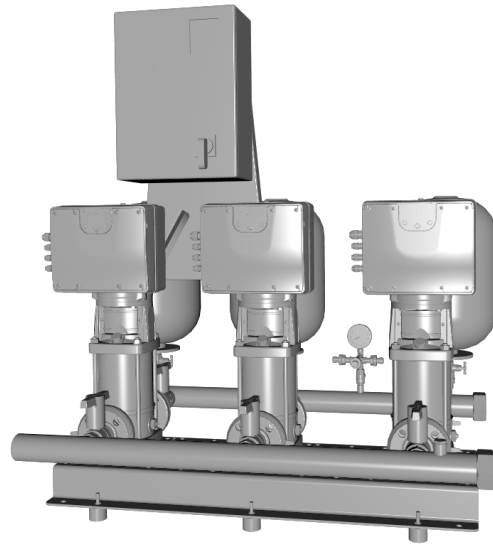
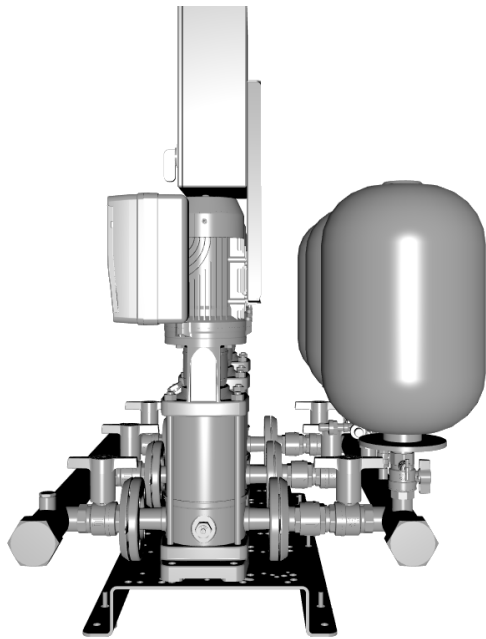
DIMENSIONAL DRAWINGS & **SCHEMATICS**

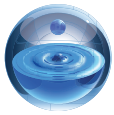
Flowboost G.V F Range
Booster Sets



DIMENSIONAL DRAWINGS & **SCHEMATICS**

Flowboost G.V F Range
Booster Sets





flowtech[®]
WATER SOLUTIONS

flowzone[®]

MEMBERS AREA

This section of the **flowtech**[®] website holds information exclusively for members. Members will need to log in to gain access to these pages.

Our member's will be granted exclusive access to our technical resource library. Within this resource is a wide range of product information including data sheets, technical drawings, O&M Manuals and training videos



flowcare[®]

AFTER SALES SERVICE

At **flowtech**[®] we operate a network of Service Engineers located throughout the UK who are supported by our offices located in Greater Manchester. The distribution of engineers means that in the majority of cases we are less than 4 hours away from attending a customer call out.

We place great emphasis on providing technical back up to support our Service Engineers in resolving some difficult operational and technical issues. We pride ourselves on completing a project on time, within budget and never leaving a problem unresolved, or a customer waiting. This quality of service has made us the first choice for our customers.

FOR FURTHER INFORMATION OR ASSISTANCE

contact us

Flowtech Water Solutions are experts in water services and water booster sets. We have continuously supplied a wide range of standard and custom products since being founded in 1996.

MANUFACTURE & SUPPLY

TELEPHONE : 0333 200 1756

EMAIL: info@flowtech.org.uk

SERVICE & MAINTENANCE

TELEPHONE : 0333 200 1813

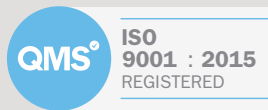
EMAIL: service@flowtech.org.uk

WEBSITE: www.flowtech.org.uk

ADDRESS : Unit 1 Lock Flight Buildings, Wheatlea Industrial Estate,
Wigan, Greater Manchester WN3 6XP United Kingdom



Membership No. 700106



Certificate No. 185352020