



flowboost[®]

H.V F Range

Single, Twin, Three & Four Pump Booster Sets

DATA SHEET

First Publication Date: 01/09/2020

Revision: v1

Revision Date:



PRODUCT OVERVIEW

Flowboost H.V F Range Booster Sets

Introducing the **flow**boost H.V F Range of Booster Sets available as single, twin, three and four pump units, complete with variable speed inverters and WRAS approved stainless steel horizontal multistage pumps. Suitable for domestic and commercial use. Fully wired and tested.



- Variable Speed Booster Set
- Twin Pump Operation Mode - Duty/Standby or Duty/Assist
- Three Pump Operation Mode - Duty/Assist/Standby or Duty/Assist/Assist
- WRAS Approved horizontal multistage pumps
- 1 Transducer per pump
- 1 Expansion vessel per pump
- Suitable for a 1 phase 230 volt supply only
- Low Water Level Protection
- LED Controller displays working pressure, absorbed current and alarm log
- Common volt free contacts
- Flowcare 2 Year 24/7 response warranty available if commissioned

PRODUCT DETAILED OVERVIEW

Flowboost H.V F Range
Booster Sets



Electrical Panel

Variable Speed Inverter Controlled



Electrical Isolator

Separate tamperproof / lockable
electrical isolator



Expansion Vessel Drain Valve

12/24 litre expansion vessel per pump
complete with drain valve



Pressure Transducer

One pressure transducer per pump

MODELS, DIMENSIONS & ELECTRICAL DATA

DATA

Flowboost H.V F Range Single Pump Booster Sets

MODEL	Kw Per Pump	F.L.C. AMPS Per Pump 1 Phase	F.L.C. AMPS Per Pump 3 Phase	Suction CONNECTION DN1	Discharge CONNECTION DN2	WIDTH mm	DEPTH mm	HEIGHT mm
flowboost 1V.HV*.F.0508	1.1	5.8	2.1	1/4"	1/4"	340	621	941
flowboost 1V.HV*.F.0511	1.5	8.0	2.8	1/4"	1/4"	340	621	1026
flowboost 1V.HV*.F.0516	2.2	11.7	4.1	1/4"	1/4"	340	621	1186
flowboost 1V.HV*.F.0521	3.0	15.9	5.6	1/4"	1/4"	340	621	1321
flowboost 1V.HV*.F.1006	2.2	11.7	4.1	1/2"	1/2"	340	630	1043
flowboost 1V.HV*.F.1009	4.0	N/A	7.3	1/2"	1/2"	340	630	1170
flowboost 1V.HV*.F.1013	5.5	N/A	10.1	1/2"	1/2"	340	630	1436
flowboost 1V.HV*.F.1505	4	N/A	7.3	2"	2"	340	709	1132
flowboost 1V.HV*.F.1507	5.5	N/A	10.1	2"	2"	340	709	1366
flowboost 1V.HV*.F.1509	7.5	N/A	13.7	2"	2"	340	709	1454
flowboost 1V.HV*.F.1510	11	N/A	19.4	2"	2"	340	709	1592
flowboost 1V.HV*.F.2205	5.5	N/A	10.1	2"	2"	340	709	1270
flowboost 1V.HV*.F.2207	7.5	N/A	13.7	2"	2"	340	709	1358
flowboost 1V.HV*.F.2210	11	N/A	19.4	2"	2"	340	709	1593

MODELS, DIMENSIONS & ELECTRICAL DATA

Flowboost H.V F Range Twin Pump Booster Sets

MODEL	Kw Per Pump	F.L.C. AMPS Per Pump 1 Phase	F.L.C. AMPS Per Pump 3 Phase	Suction CONNECTION DN1	Discharge CONNECTION DN2	WIDTH mm	DEPTH mm	HEIGHT mm
flowboost 2V.HV*.F.0508	1.1	5.8	2.1	2"	2"	682	649	895
flowboost 2V.HV*.F.0511	1.5	8.0	2.8	2"	2"	682	649	980
flowboost 2V.HV*.F.0516	2.2	11.7	4.1	2"	2"	682	649	1140
flowboost 2V.HV*.F.0521	3.0	15.9	5.6	2"	2"	682	649	1275
flowboost 2V.HV*.F.1006	2.2	11.7	4.1	2½"	2½"	682	726	997
flowboost 2V.HV*.F.1009	4.0	N/A	7.3	2½"	2½"	682	726	1124
flowboost 2V.HV*.F.1013	5.5	N/A	10.1	2½"	2½"	640	610	1466
flowboost 2V.HV*.F.1505	4	N/A	7.3	3"	3"	640	610	1162
flowboost 2V.HV*.F.1507	5.5	N/A	10.1	3"	3"	640	610	1396
flowboost 2V.HV*.F.1509	7.5	N/A	13.7	3"	3"	640	610	1484
flowboost 2V.HV*.F.1510	11	N/A	19.4	3"	3"	960	680	1673
flowboost 2V.HV*.F.2205	5.5	N/A	10.1	3"	3"	640	610	1300
flowboost 2V.HV*.F.2207	7.5	N/A	13.7	3"	3"	640	610	1388
flowboost 2V.HV*.F.2210	11	N/A	19.4	3"	3"	960	680	1673



MODELS, DIMENSIONS & ELECTRICAL DATA

Flowboost H.V F Range Three Pump Booster Sets

MODEL	Kw Per Pump	F.L.C. AMPS Per Pump 1 Phase	F.L.C. AMPS Per Pump 3 Phase	Suction CONNECTION DN1	Discharge CONNECTION DN2	WIDTH mm	DEPTH mm	HEIGHT mm
flow boost 3V.H.V*.F.0508	11	5.8	2.1	2"	2"	995	649	971
flow boost 3V.H.V*.F.0511	1.5	8.0	2.8	2"	2"	995	649	1056
flow boost 3V.H.V*.F.0516	2.2	11.7	4.1	2"	2"	995	649	1216
flow boost 3V.H.V*.F.0521	3.0	15.9	5.6	2"	2"	995	649	1351
flow boost 3V.H.V*.F.1006	2.2	11.7	4.1	2½"	2½"	995	726	1073
flow boost 3V.H.V*.F.1009	4.0	N/A	7.3	2½"	2½"	995	726	1200
flow boost 3V.H.V*.F.1013	5.5	N/A	10.1	2½"	2½"	995	726	1466
flow boost 3V.H.V*.F.1505	4	N/A	7.3	DN100	DN80	995	985	1162
flow boost 3V.H.V*.F.1507	5.5	N/A	10.1	DN100	DN80	995	985	1396
flow boost 3V.H.V*.F.1509	7.5	N/A	13.7	DN100	DN80	995	985	1484
flow boost 3V.H.V*.F.1510	11	N/A	19.4	DN100	DN80	1400	985	1673
flow boost 3V.H.V*.F.2205	5.5	N/A	10.1	DN100	DN100	995	1007	1300
flow boost 3V.H.V*.F.2207	7.5	N/A	13.7	DN100	DN100	995	1007	1388
flow boost 3V.H.V*.F.2210	11	N/A	19.4	DN100	DN100	1400	1007	1673

MODELS, DIMENSIONS & ELECTRICAL DATA

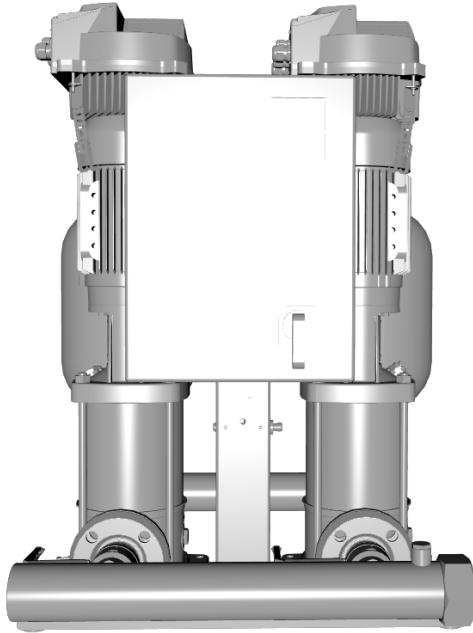
Flowboost H.V F Range Four Pump Booster Sets

MODEL	Kw Per Pump	F.L.C. AMPS Per Pump 1 Phase	F.L.C. AMPS Per Pump 3 Phase	Suction CONNECTION DN1	Discharge CONNECTION DN2	WIDTH mm	DEPTH mm	HEIGHT mm
flowboost 4V.HV*.F0508	1.1	5.8	2.1	2½"	2"	1365	665	971
flowboost 4V.HV*.F0511	1.5	8.0	2.8	2½"	2"	1365	665	1056
flowboost 4V.HV*.F0516	2.2	11.7	4.1	2½"	2"	1365	665	1216
flowboost 4V.HV*.F0521	3.0	15.9	5.6	2½"	2"	1365	665	1351
flowboost 4V.HV*.F1006	2.2	11.7	4.1	3"	3"	1365	752	1073
flowboost 4V.HV*.F1009	4.0	N/A	7.3	3"	3"	1365	752	1200
flowboost 4V.HV*.F1013	5.5	N/A	10.1	3"	3"	1365	752	1466
flowboost 4V.HV*.F1505	4	N/A	7.3	DN100	DN100	1365	1454	1162
flowboost 4V.HV*.F1507	5.5	N/A	10.1	DN100	DN100	1365	1454	1392
flowboost 4V.HV*.F1509	7.5	N/A	13.7	DN100	DN100	1365	1454	1484
flowboost 4V.HV*.F1510	11	N/A	19.4	DN100	DN100	1365	1664	1673
flowboost 4V.HV*.F2205	5.5	N/A	10.1	DN125	DN100	1365	1454	1300
flowboost 4V.HV*.F2207	7.5	N/A	13.7	DN125	DN100	1365	1454	1388
flowboost 4V.HV*.F2210	11	N/A	19.4	DN125	DN100	1365	1664	1673



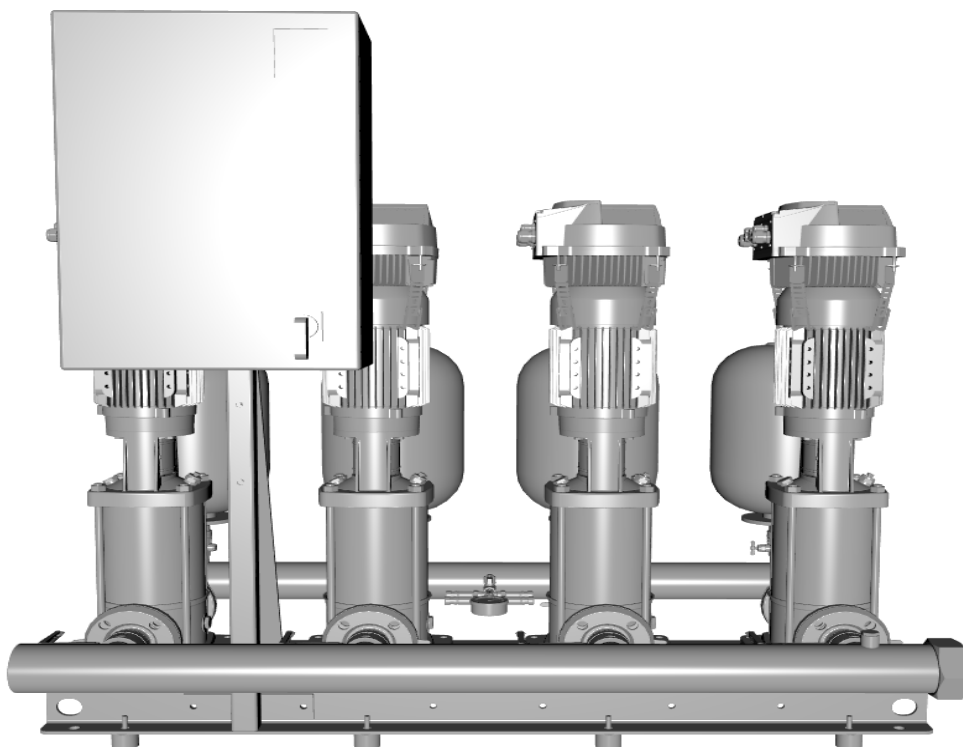
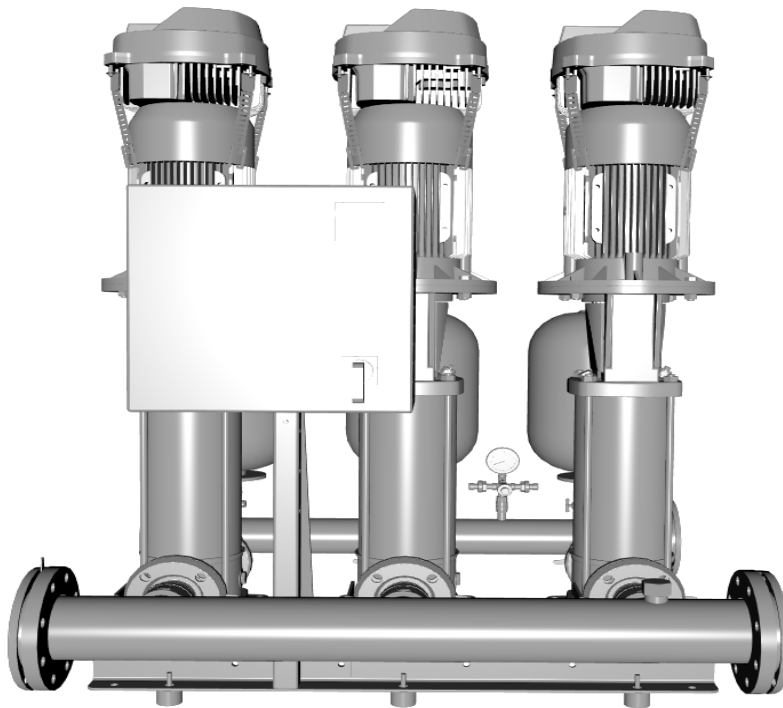
DIMENSIONAL DRAWINGS & **SCHEMATICS**

Flowboost H.V F Range
Booster Sets



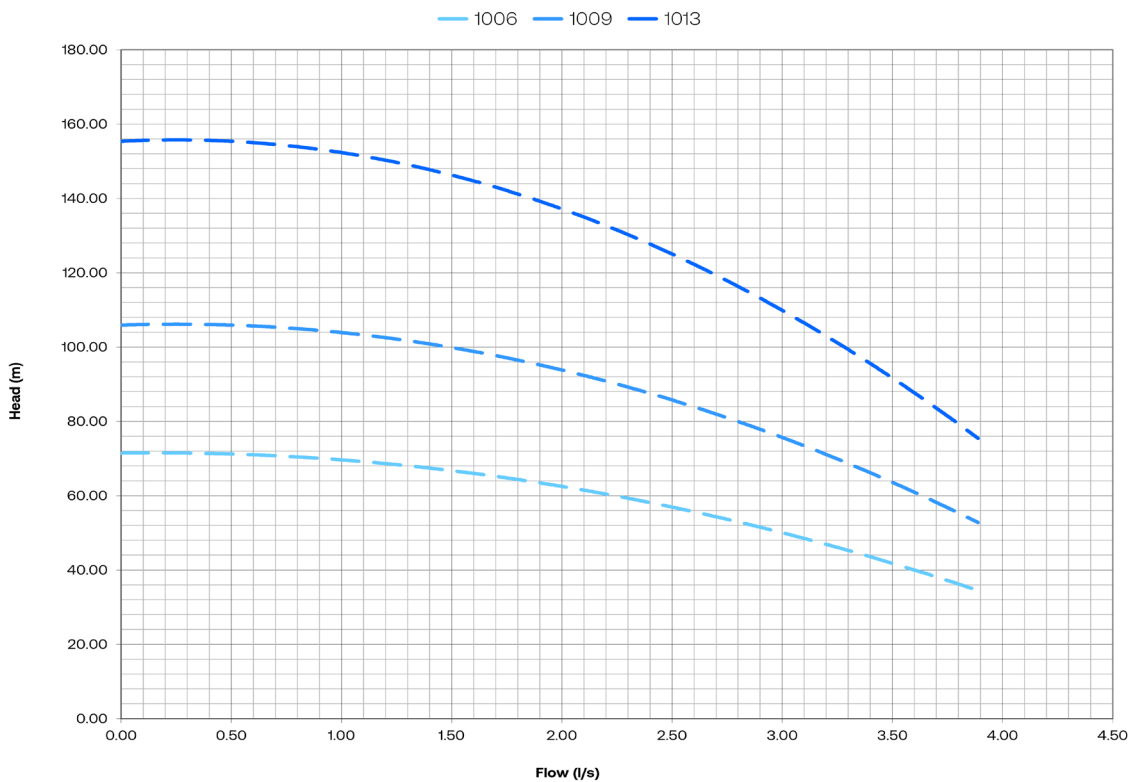
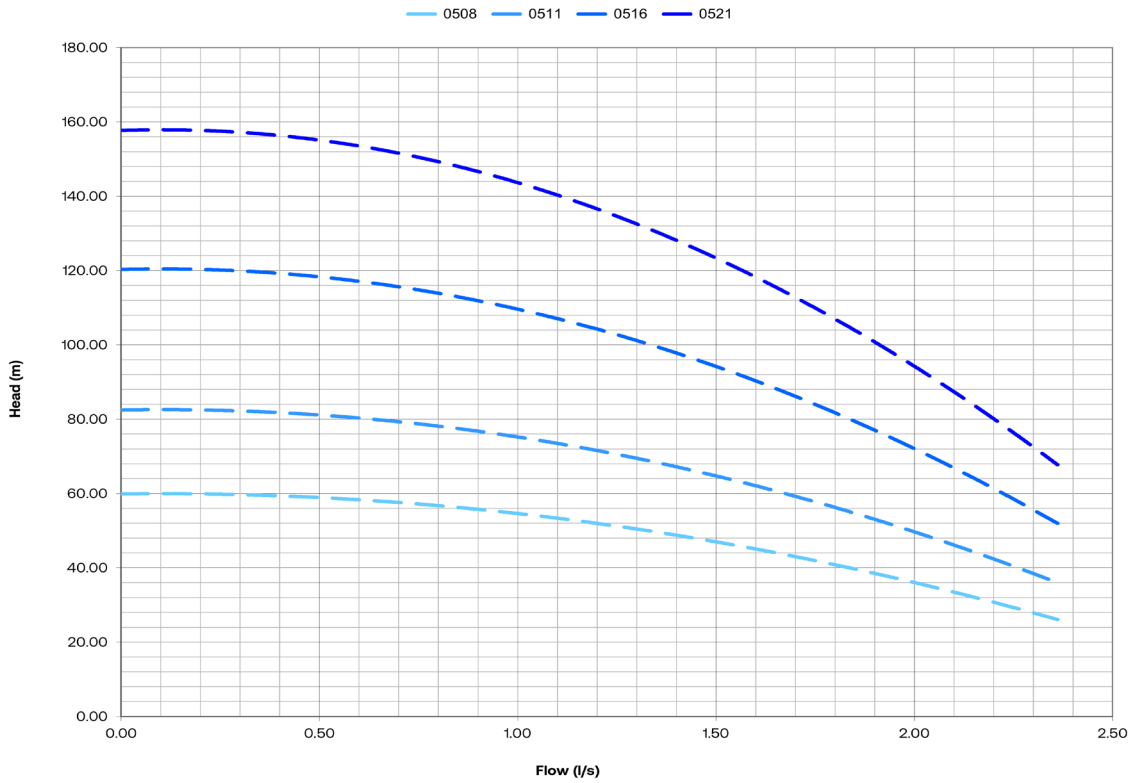
DIMENSIONAL DRAWINGS & **SCHEMATICS**

Flowboost H.V F Range
Booster Sets



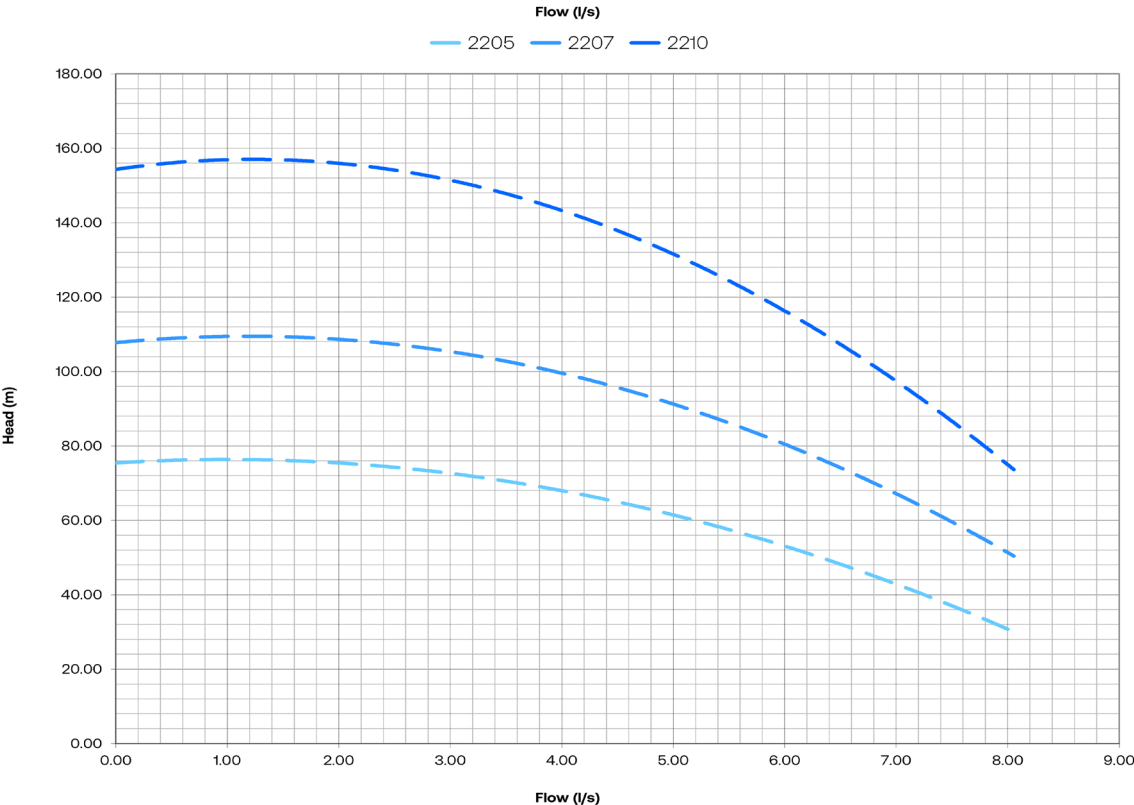
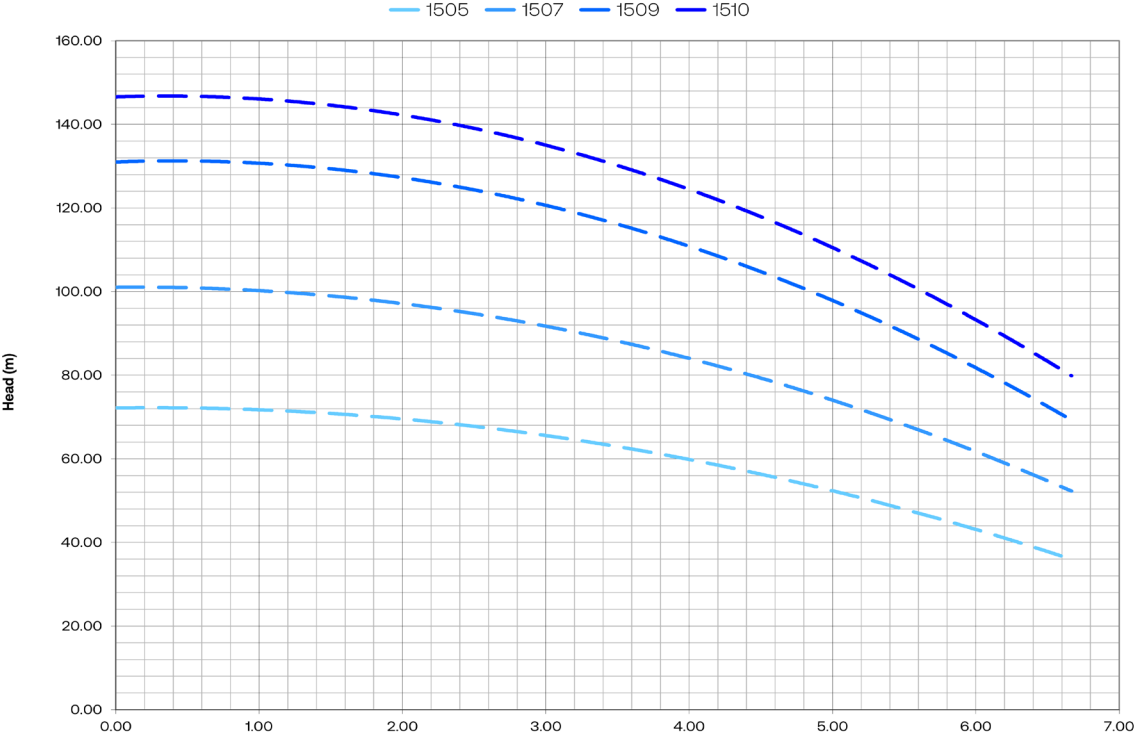
PERFORMANCE CURVE DATA

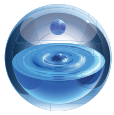
Flowboost H.V F Range
Booster Sets



PERFORMANCE CURVE DATA

Flowboost H.V F Range
Booster Sets





flowtech[®]
WATER SOLUTIONS

flowzone[®]

MEMBERS AREA

This section of the **flowtech**[®] website holds information exclusively for members. Members will need to log in to gain access to these pages.

Our member's will be granted exclusive access to our technical resource library. Within this resource is a wide range of product information including data sheets, technical drawings, O&M Manuals and training videos



flowcare[®]

AFTER SALES SERVICE

At **flowtech**[®] we operate a network of Service Engineers located throughout the UK who are supported by our offices located in Greater Manchester. The distribution of engineers means that in the majority of cases we are less than 4 hours away from attending a customer call out.

We place great emphasis on providing technical back up to support our Service Engineers in resolving some difficult operational and technical issues. We pride ourselves on completing a project on time, within budget and never leaving a problem unresolved, or a customer waiting. This quality of service has made us the first choice for our customers.

FOR FURTHER INFORMATION OR ASSISTANCE

contact us

Flowtech Water Solutions are experts in water services and water booster sets. We have continuously supplied a wide range of standard and custom products since being founded in 1996.

MANUFACTURE & SUPPLY

TELEPHONE : 0333 200 1756

EMAIL: info@flowtech.org.uk

SERVICE & MAINTENANCE

TELEPHONE : 0333 200 1813

EMAIL: service@flowtech.org.uk

WEBSITE: www.flowtech.org.uk

ADDRESS : Unit 1 Lock Flight Buildings, Wheatlea Industrial Estate,
Wigan, Greater Manchester WN3 6XP United Kingdom



Membership No. 700106



Certificate No. 185352020