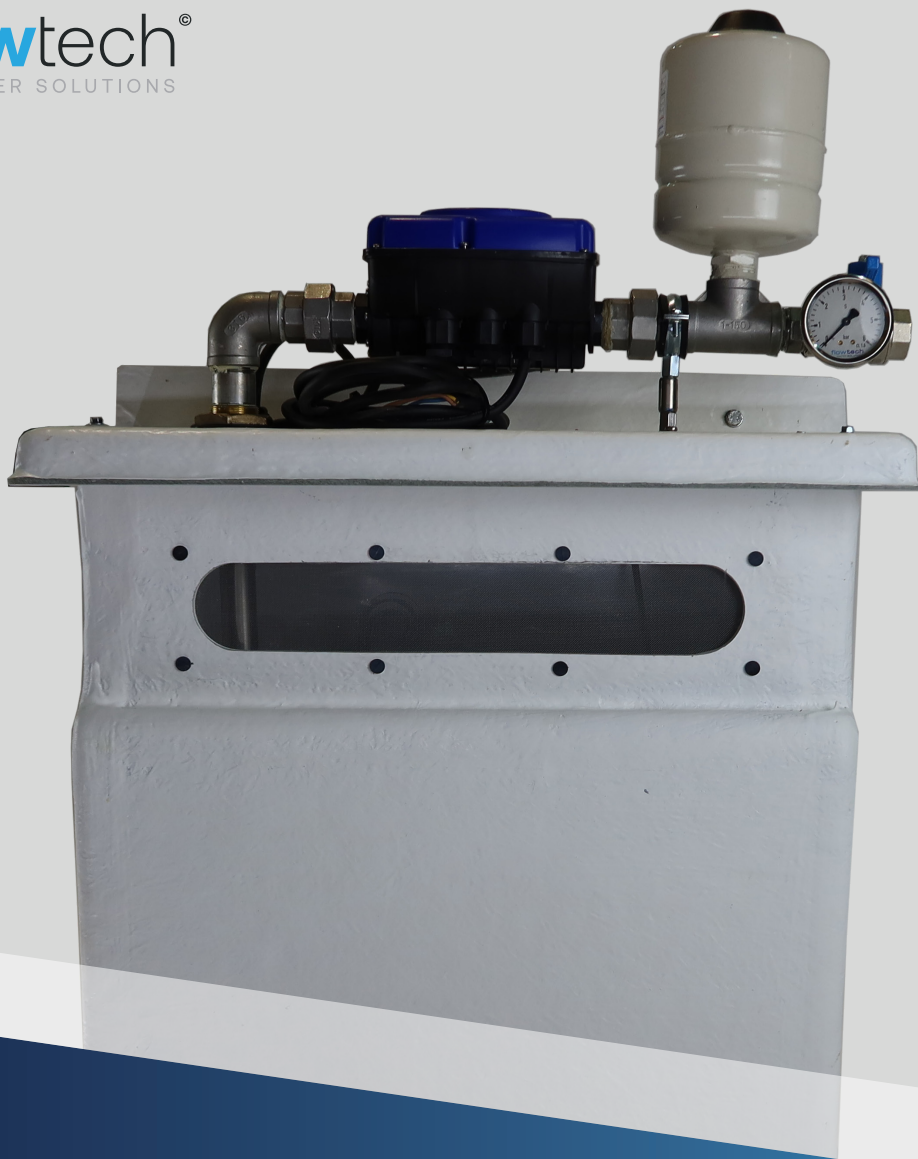


**flowtech**<sup>®</sup>  
WATER SOLUTIONS



# flowpac

Compact 1F.BD Range CAT5  
Packaged Booster Sets

## DATA SHEET

First Publication Date: 01/09/2020

Revision: v1

Revision Date:



50dB

DECIBEL  
LEVEL



COMPACT  
DESIGN



SINGLE PHASE



CE MARKED

## PRODUCT OVERVIEW

**Flowpac** Compact 1F.BD Range  
CAT5 Packaged Booster Sets

Available in four  
standard tank sizes\*

**187 litre** (ex stock)

**251 litre** (ex stock)

**305 litre**

**375 litre**

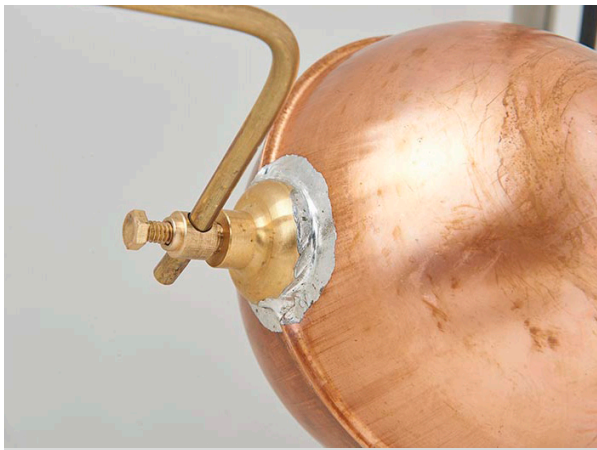
\*other tank sizes available on request

Introducing the **flowpac** Compact 1F.BD CAT5 Packaged Booster Set range, available as a single pump only with 4 standard tank sizes. All tanks have a footprint of 670mm x 650mm making the units ideal for small plant rooms. Suitable for single or multiple outlets.

- Single Pump Fixed Speed Packaged Booster Set and CAT5 Break Tank
- Quiet in operation, less than 50 decibels
- 4 standard tank sizes available\*, 187 litre, 251 litre 305 litre and 375 litre Nominal
- Compact footprint, all models 670mm x 650mm
- WRAS Approved water storage tank manufactured from GRP with 25mm insulation
- WRAS Approved 3/4" High flow ball valve fitted
- Easy access through standard door
- Suitable for a 1 phase 230 volt supply only
- Low Water Level Protection
- WRAS Approved fully adjustable system pressure reducing valve fitted
- Complete with Volt free contacts
- **Maximum allowable static head 12 metres**

# PRODUCT DETAILED OVERVIEW

**Flowpac** Compact 1F.BD Range  
CAT5 Packaged Booster Sets



## Adjustable Copper Ball Float

High quality copper ball float, precision soldered to an adjustable high flow ball valve.



## High Flow Ball Valve

$\frac{3}{4}$ " Brass High Flow Ball Valve for fast and efficient tank filling.



## System Pressure Reducing Valve

WRAS Approved fully adjustable system pressure reducing valve, 1" bdpf outlet connection..



## Overflow Port

$\frac{1}{2}$ " Overflow with an easy access snap-lock maintenance port.



# MODELS, DIMENSIONS & ELECTRICAL DATA

## DATA

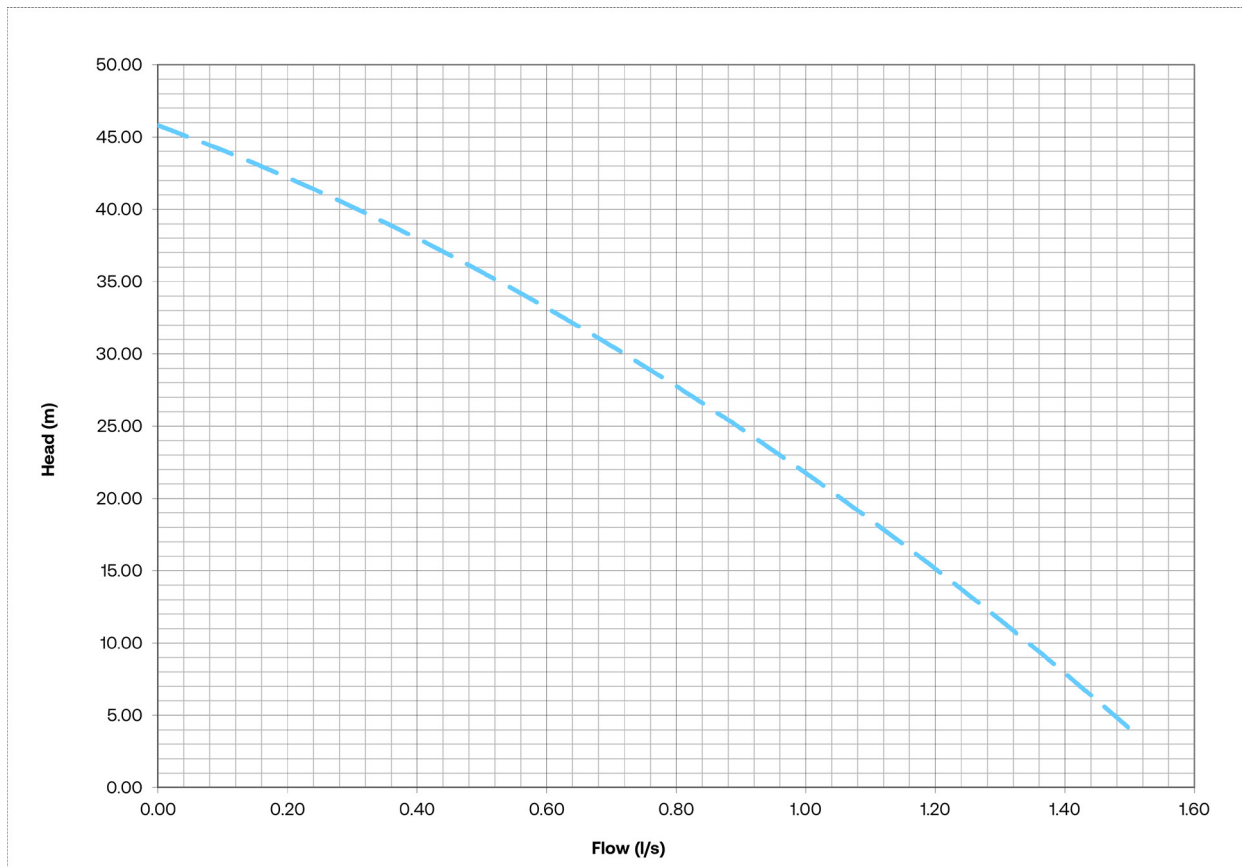
Flowpac Compact 1F.BD Range  
CAT5 Packaged Booster Sets

MODEL	Kw	F.L.C. AMPS	INLET CONNECTION DN1	OVERFLOW CONNECTION DN2	OUTLET CONNECTION DN3	WIDTH mm	DEPTH mm	HEIGHT mm
flowpac Compact 1F.BD.187.5	0.75	4.8	¾"	1¼"	1"	670	650	1090
flowpac Compact 1F.BD.251.5	0.75	4.8	¾"	1¼"	1"	670	650	1340
flowpac Compact 1F.BD.305.5	0.75	4.8	¾"	1¼"	1"	670	650	1540
flowpac Compact 1F.BD.375.5	0.75	4.8	¾"	1¼"	1"	670	650	1840

# PERFORMANCE CURVE DATA

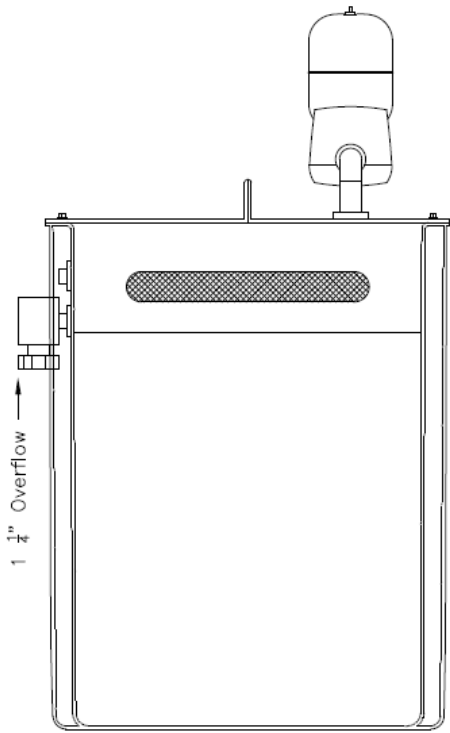
## DATA

Flowpac Compact 1F.BD Range  
CAT5 Packaged Booster Sets

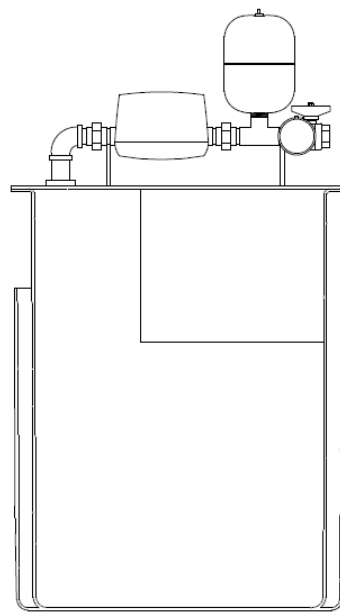


# DIMENSIONAL DRAWINGS & **SCHEMATICS**

Flowpac Compact 1F.BD Range  
CAT5 Packaged Booster Sets

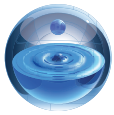


**FRONT VIEW**



**SIDE VIEW**





**flowtech**<sup>®</sup>  
WATER SOLUTIONS

# flowzone<sup>®</sup>

MEMBERS AREA

This section of the **flowtech**<sup>®</sup> website holds information exclusively for members. Members will need to log in to gain access to these pages.

Our member's will be granted exclusive access to our technical resource library. Within this resource is a wide range of product information including data sheets, technical drawings, O&M Manuals and training videos



# flowcare<sup>®</sup>

AFTER SALES SERVICE

At **flowtech**<sup>®</sup> we operate a network of Service Engineers located throughout the UK who are supported by our offices located in Cumbria and Greater Manchester. The distribution of engineers means that in the majority of cases we are less than 4 hours away from attending a customer call out.

We place great emphasis on providing technical back up to support our Service Engineers in resolving some difficult operational and technical issues. We pride ourselves on completing a project on time, within budget and never leaving a problem unresolved, or a customer waiting. This quality of service has made us the first choice for our customers.

FOR FURTHER INFORMATION OR ASSISTANCE

## contact us

Flowtech Water Solutions are experts in water services and water booster sets. We have continuously supplied a wide range of standard and custom products since being founded in 1996.

### MANUFACTURE & SUPPLY

TELEPHONE : 0333 200 1756

EMAIL: [info@flowtech.org.uk](mailto:info@flowtech.org.uk)

### SERVICE & MAINTENANCE

TELEPHONE : 0333 200 1813

EMAIL: [service@flowtech.org.uk](mailto:service@flowtech.org.uk)

WEBSITE: [www.flowtech.org.uk](http://www.flowtech.org.uk)

ADDRESS : Unit 1 Lock Flight Buildings, Wheatlea Industrial Estate,  
Wigan, Greater Manchester WN3 6XP United Kingdom

