



flowpac

G.H Range CAT5
Packaged Booster Sets

DATA SHEET

First Publication Date: 01/09/2020

Revision: v1

Revision Date:



50dB

DECIBEL
LEVEL



COMPACT
DESIGN



SINGLE PHASE



CE MARKED

Available in four
standard tank sizes*

187 litre (ex stock)

251 litre (ex stock)

305 litre

375 litre

*other tank sizes available on request

PRODUCT OVERVIEW

Flowpac G.H Range CAT5 Packaged Booster Sets

The **flowpac** G.H CAT5 Range is a fully packaged booster set, incorporating pump, motor, anti cycle vessel, pressure sensor, controller, non-return valve, break tank with pre-insulation and supplied with a 3/4" WRAS approved float valve.

Available as a single or twin pump unit with 4 standard tank sizes. Suitable for single or multiple outlets.

Each packaged booster set is fully assembled and wired to minimise the time taken on site for installation, especially important when the set is replacing an existing unit where down time must be kept to an absolute minimum so end users are not overly disrupted.

- Single or Twin Pump Variable Speed Packaged Booster Set and CAT5 Break Tank
- Quiet in operation, less than 50 decibels
- 4 standard tank sizes available*, 187 litre, 251 litre 305 litre and 375 litre Nominal
- Compact footprint.
- WRAS Approved water storage tank manufactured from GRP with 25mm insulation
- WRAS Approved 3/4" High flow ball valve fitted
- Suitable for a 1 phase 230 volt supply only
- Low Water Protection
- WRAS Approved fully adjustable system pressure reducing valve fitted
- Complete with Volt free BMS contacts

PRODUCT DETAILED OVERVIEW

Flowpac G.H Range
CAT5 Packaged Booster Sets



Inverter Control

Variable speed drive containing state of the art technology to optimise performance and efficiency.



Expansion Vessel & Drain Valve

12 litre expansion vessel per pump complete with drain valve.



CAT 5 Tank

Break Tank with AB air gap which provides back flow protection to fluid Category 5



Overflow Port

1½" Overflow with an easy access snap-lock maintenance port.



MODELS, DIMENSIONS & ELECTRICAL DATA

Flowpac G.H Range
CAT5 Packaged Booster Sets

MODEL	Kw Per Pump	F.L.C. AMPS Per Pump 1 Phase	F.L.C. AMPS Per Pump 3 Phase	Suction CONNECTION DN1	Discharge CONNECTION DN2
flow boost 1V.G.H.*0105	0.37	2.24	1.46	1"	1"
flow boost 1V.G.H.*0108	0.55	3.07	1.90	1"	1"
flow boost 1V.G.H.*0111	0.75	4.04	2.41	1"	1"
flow boost 1V.G.H.*0115	1.1	5.85	3.45	1"	1"
flow boost 1V.G.H.*0117	1.5	7.77	4.39	1"	1"
flow boost 1V.G.H.*0303	0.37	2.24	1.47	1"	1"
flow boost 1V.G.H.*0305	0.55	3.07	1.92	1"	1"
flow boost 1V.G.H.*0307	0.75	4.06	2.43	1"	1"
flow boost 1V.G.H.*0309	1.1	5.85	3.45	1"	1"
flow boost 1V.G.H.*0312	1.5	7.80	4.42	1"	1"
flow boost 1V.G.H.*0502	0.37	2.24	1.48	1 ¼"	1"
flow boost 1V.G.H.*0503	0.55	3.07	1.92	1 ¼"	1"
flow boost 1V.G.H.*0504	0.75	4.05	2.42	1 ¼"	1"
flow boost 1V.G.H.*0506	1.1	5.85	3.46	1 ¼"	1"
flow boost 1V.G.H.*0508	1.5	7.82	4.44	1 ¼"	1"
flow boost 1V.G.H.*0510	2.2	N/A	5.87	1 ¼"	1"
flow boost 1V.G.H.*1001	0.75	3.80	2.24	1 ½"	1 ¼"
flow boost 1V.G.H.*1002	1.1	5.85	3.45	1 ½"	1 ¼"
flow boost 1V.G.H.*1003	1.5	7.81	4.43	1 ½"	1 ¼"
flow boost 1V.G.H.*1004	2.2	N/A	5.87	1 ½"	1 ¼"
flow boost 1V.G.H.*1501	1.1	5.85	3.45	2"	1 ½"
flow boost 1V.G.H.*1502	1.5	7.85	4.47	2"	1 ½"
flow boost 1V.G.H.*1503	2.2	N/A	5.80	2"	1 ½"

MODELS, DIMENSIONS & ELECTRICAL DATA

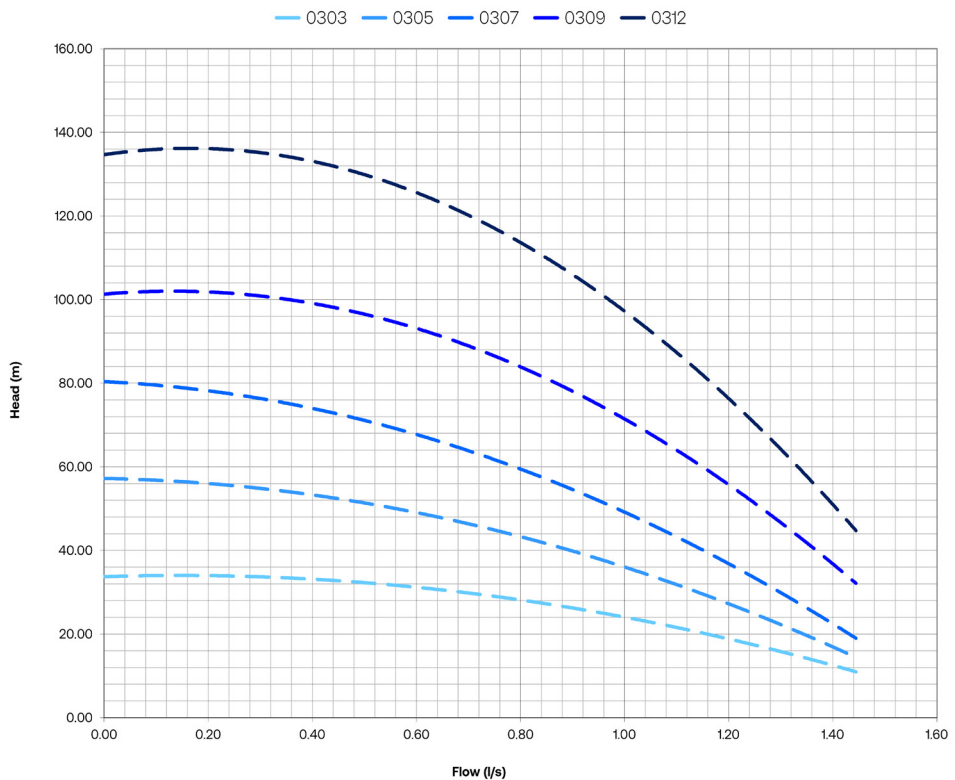
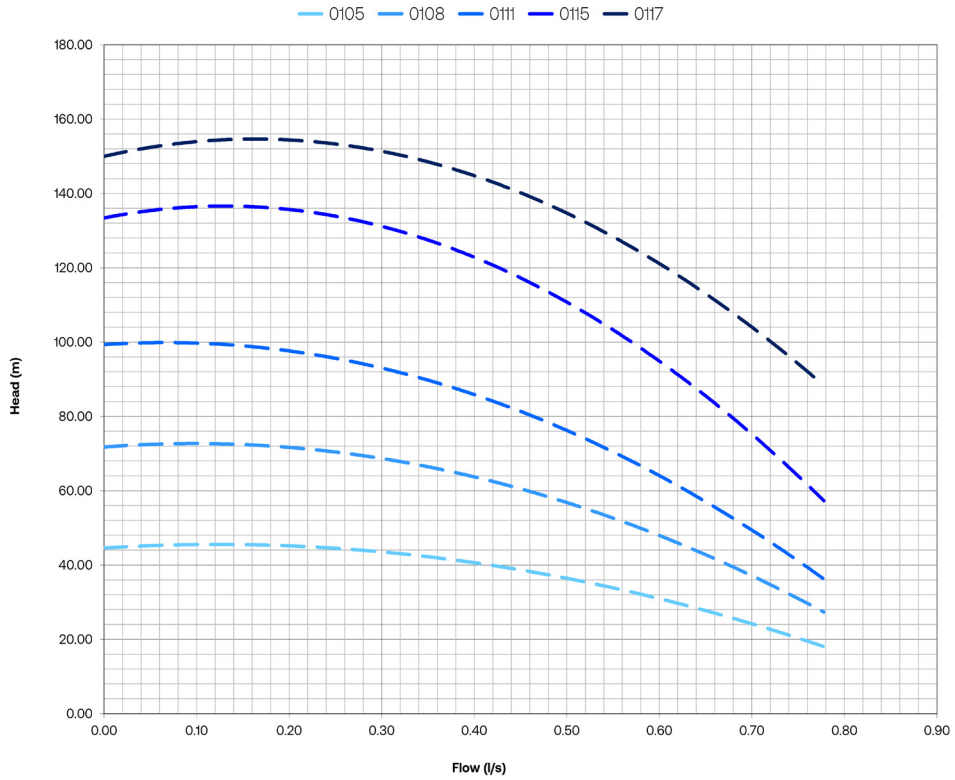
Flowpac G.H Range
CAT5 Packaged Booster Sets

MODEL	Kw Per Pump	F.L.C. AMPS Per Pump 1 Phase	F.L.C. AMPS Per Pump 3 Phase	Suction CONNECTION DN1	Discharge CONNECTION DN2
flowboost 2VG.H*.0105	0.37	2.24	1.46	2"	2"
flowboost 2VG.H*.0108	0.55	3.07	1.90	2"	2"
flowboost 2VG.H*.0111	0.75	4.04	2.41	2"	2"
flowboost 2VG.H*.0115	1.1	5.85	3.45	2"	2"
flowboost 2VG.H*.0117	1.5	7.77	4.39	2"	2"
flowboost 2VG.H*.0303	0.37	2.24	1.47	2"	2"
flowboost 2VG.H*.0305	0.55	3.07	1.92	2"	2"
flowboost 2VG.H*.0307	0.75	4.06	2.43	2"	2"
flowboost 2VG.H*.0309	1.1	5.85	3.45	2"	2"
flowboost 2VG.H*.0312	1.5	7.80	4.42	2"	2"
flowboost 2VG.H*.0502	0.37	2.24	1.48	2"	2"
flowboost 2VG.H*.0503	0.55	3.07	1.92	2"	2"
flowboost 2VG.H*.0504	0.75	4.05	2.42	2"	2"
flowboost 2VG.H*.0506	1.1	5.85	3.46	2"	2"
flowboost 2VG.H*.0508	1.5	7.82	4.44	2"	2"
flowboost 2VG.H*.0510	2.2	N/A	5.87	2"	2"
flowboost 2VG.H*.1001	0.75	3.80	2.24	2½"	2½"
flowboost 2VG.H*.1002	1.1	5.85	3.45	2½"	2½"
flowboost 2VG.H*.1003	1.5	7.81	4.43	2½"	2½"
flowboost 2VG.H*.1004	2.2	N/A	5.87	2½"	2½"
flowboost 2VG.H*.1501	1.1	5.85	3.45	3"	3"
flowboost 2VG.H*.1502	1.5	7.85	4.47	3"	3"
flowboost 2VG.H*.1503	2.2	N/A	5.80	3"	3"



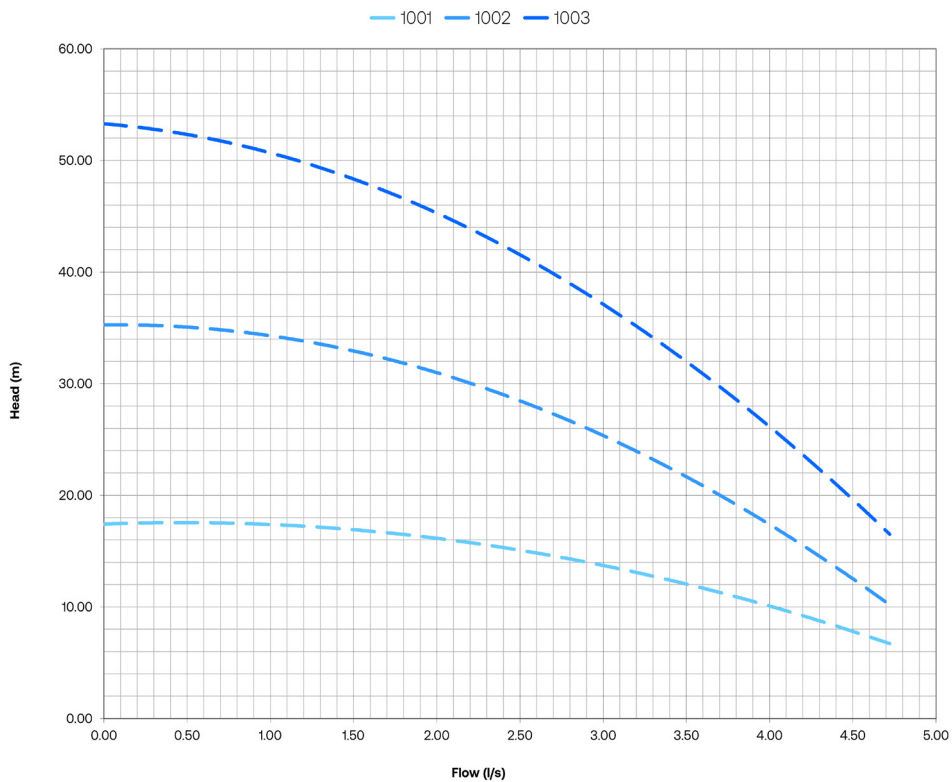
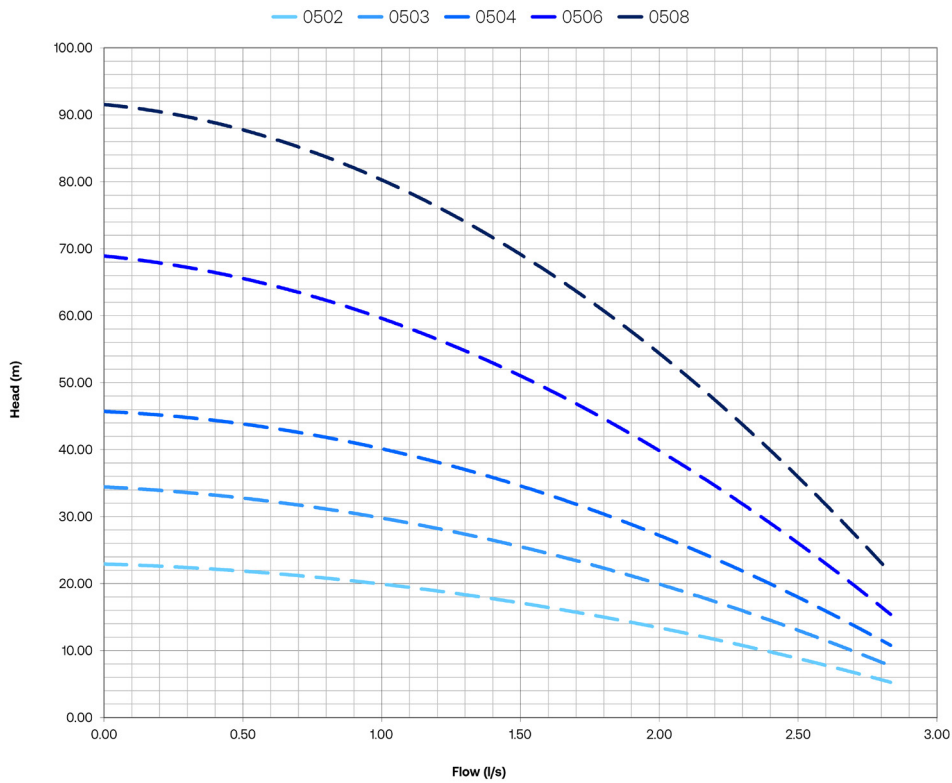
PERFORMANCE CURVE DATA

Flowpac G.H Range
CAT5 Packaged Booster Sets



PERFORMANCE CURVE DATA

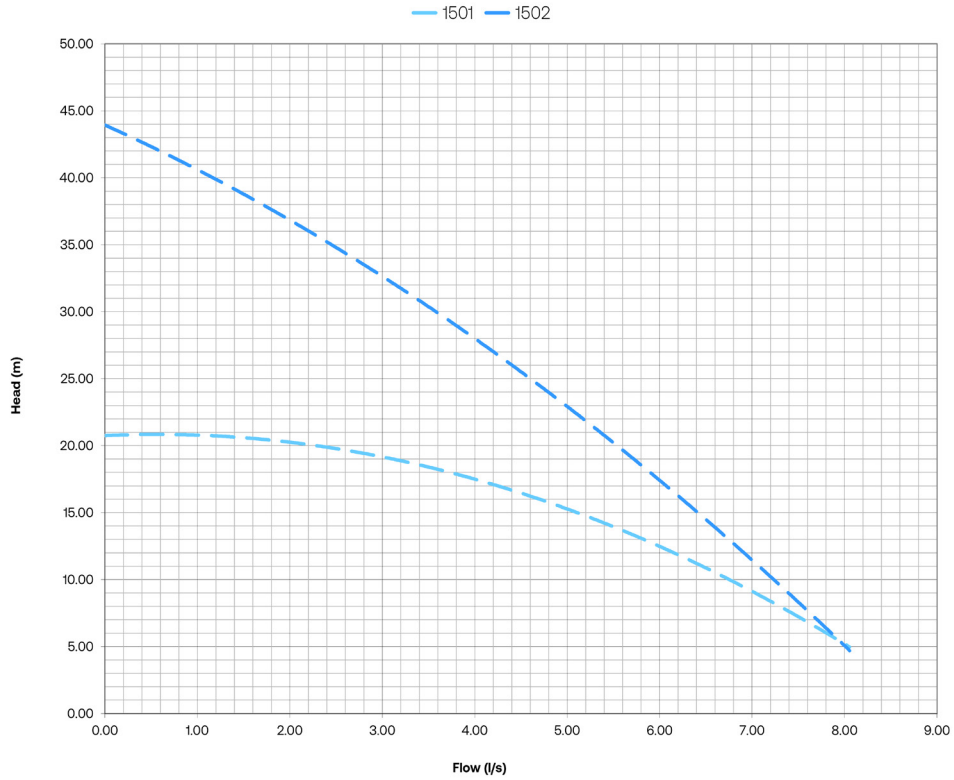
Flowpac G.H Range
CAT5 Packaged Booster Sets





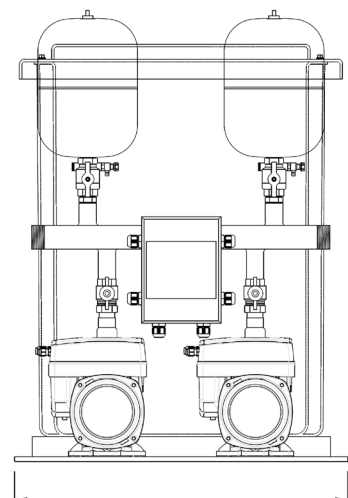
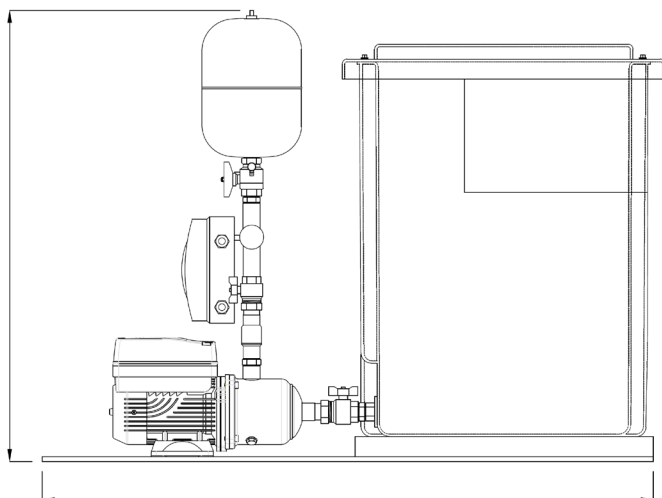
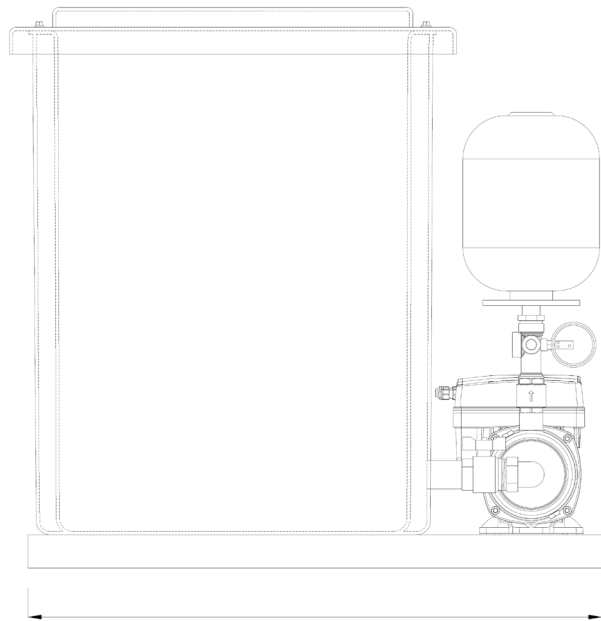
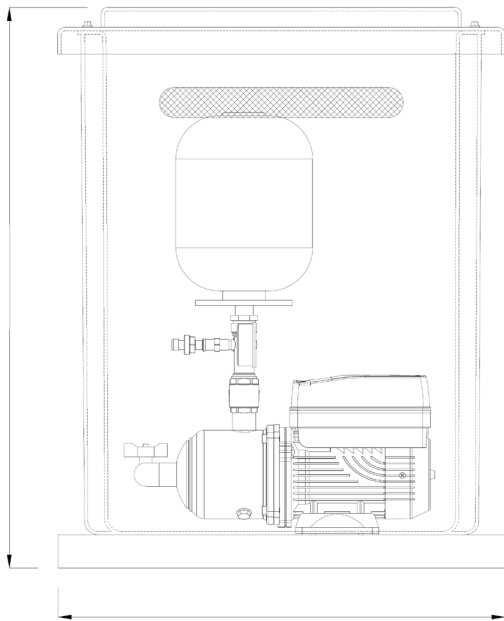
PERFORMANCE CURVE DATA

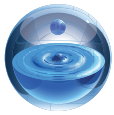
Flowpac G.H Range
CAT5 Packaged Booster Sets



DIMENSIONAL DRAWINGS & SCHEMATICS

Flowpac G.H Range
CAT5 Packaged Booster Sets





flowtech[®]
WATER SOLUTIONS

flowzone[®]

MEMBERS AREA

This section of the **flowtech**[®] website holds information exclusively for members. Members will need to log in to gain access to these pages.

Our member's will be granted exclusive access to our technical resource library. Within this resource is a wide range of product information including data sheets, technical drawings, O&M Manuals and training videos



flowcare[®]

AFTER SALES SERVICE

At **flowtech**[®] we operate a network of Service Engineers located throughout the UK who are supported by our offices located in Greater Manchester. The distribution of engineers means that in the majority of cases we are less than 4 hours away from attending a customer call out.

We place great emphasis on providing technical back up to support our Service Engineers in resolving some difficult operational and technical issues. We pride ourselves on completing a project on time, within budget and never leaving a problem unresolved, or a customer waiting. This quality of service has made us the first choice for our customers.

FOR FURTHER INFORMATION OR ASSISTANCE

contact us

Flowtech Water Solutions are experts in water services and water booster sets. We have continuously supplied a wide range of standard and custom products since being founded in 1996.

MANUFACTURE & SUPPLY

TELEPHONE : 0333 200 1756

EMAIL: info@flowtech.org.uk

SERVICE & MAINTENANCE

TELEPHONE : 0333 200 1813

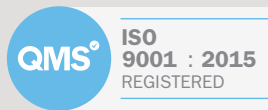
EMAIL: service@flowtech.org.uk

WEBSITE: www.flowtech.org.uk

ADDRESS : Unit 1 Lock Flight Buildings, Wheatlea Industrial Estate,
Wigan, Greater Manchester WN3 6XP United Kingdom



Membership No. 700106



Certificate No. 185352020