

flowtech[®]
WATER SOLUTIONS



flowboost[®]

J.H Range

Twin and Three Pump Booster Sets

DATA SHEET

First Publication Date: 01/09/2020

Revision: v2

Revision Date: 03/05/2025



70 dba

DECIBEL
LEVEL



LED INVERTER
DISPLAY



SINGLE PHASE



CE MARKED



COMMON VOLT
FREE EXTERNAL
BMS CONTACTS



304 STAINLESS
STEEL
MANIFOLDS

PRODUCT OVERVIEW

Flowboost J.H Range Booster Sets

Introducing the **flowboost** J.H Range of Booster Sets available as twin and three pump units, complete with variable speed inverters and WRAS Approved stainless steel horizontal multistage pumps. Suitable for domestic and commercial use.

Fully wired and tested.

- Variable Speed Booster Set
- Twin Pump Operation Mode - Duty/Standby or Duty/Assist
- Three Pump Operation Mode - Duty/Assist/Standby or Duty/Assist/Assist
- Single or three phase available
- Regulation 4/WRAS Approved horizontal multistage pumps
- 1 Transducer per pump
- 1 Expansion vessel per pump
- Low Water Level Protection
- LED Controller displays working pressure, absorbed current and alarm log
- Common volt free contacts
- Flowcare 2 Year 24/7 response warranty available if commissioned

PRODUCT DETAILED OVERVIEW

Flowboost J.H Range
Booster Sets



Electrical Panel

Comes with individual MCB circuit
breaker per pump



WRAS Approved Pump

AISI 304 Stainless Steel Horizontal
Multistage Pumps



Expansion Vessel Drain Valve

12 litre expansion vessel per pump
complete with drain valve



Pressure Transducer

One pressure transducer per pump



MODELS, DIMENSIONS & ELECTRICAL DATA

DATA

Flowboost J.H Range Booster Sets

MODEL	Kw Per Pump	F.L.C. AMPS Per Pump 1 Phase	F.L.C. AMPS Per Pump 3 Phase	Suction CONNECTION DN1	Discharge CONNECTION DN2	WIDTH mm	DEPTH mm	HEIGHT mm
flowboost 2V.J.H.*0303	0.65	2.8	1.6	1½" BSP	1½" BSP	550	535	1150
flowboost 2V.J.H.*0304	0.65	2.8	1.6	1½" BSP	1½" BSP	550	555	1150
flowboost 2V.J.H.*0305	0.75	3.1	1.8	1½" BSP	1½" BSP	550	580	1150
flowboost 2V.J.H.*0306	0.9	4.3	2.5	1½" BSP	1½" BSP	550	605	1150
flowboost 2V.J.H.*0307	1.3	5.8	3.3	1½" BSP	1½" BSP	550	680	1150
flowboost 2V.J.H.*0308	1.3	5.8	3.3	1½" BSP	1½" BSP	550	710	1150
flowboost 2V.J.H.*0309	1.5	6.6	3.8	1½" BSP	1½" BSP	550	730	1150
flowboost 2V.J.H.*0503	0.65	3.1	1.8	2" BSP	1½" BSP	550	560	1150
flowboost 2V.J.H.*0504	0.9	4.3	2.5	2" BSP	1½" BSP	550	585	1150
flowboost 2V.J.H.*0505	1.3	5.8	3.3	2" BSP	1½" BSP	550	660	1150
flowboost 2V.J.H.*0506	1.3	5.8	3.3	2" BSP	1½" BSP	550	685	1150
flowboost 2V.J.H.*0507	1.5	6.6	3.8	2" BSP	1½" BSP	550	710	1150
flowboost 2V.J.H.*0508	2.2	8.2	4.7	2" BSP	1½" BSP	550	735	1150
flowboost 2V.J.H.*0509	2.2	8.2	4.7	2" BSP	1½" BSP	550	755	1150
flowboost 2V.J.H.*1003	1.3	5.8	3.3	2½" BSP	2½" BSP	550	700	1150
flowboost 2V.J.H.*1004	1.5	6.6	3.8	2½" BSP	2½" BSP	550	720	1150
flowboost 2V.J.H.*1005	2.2	8.2	4.7	2½" BSP	2½" BSP	550	750	1150
flowboost 2V.J.H.*1006	2.2	8.2	4.7	2½" BSP	2½" BSP	550	780	1150
flowboost 2V.J.H.*1803	2.2	8.2	4.7	3" BSP	3" BSP	550	850	1250
flowboost 2V.J.H.*1804	3.0	N/A	6.4	3" BSP	3" BSP	550	875	1250
flowboost 2V.J.H.*1805	4.0	N/A	8.7	3" BSP	3" BSP	550	925	1250
flowboost 2V.J.H.*1806	4.0	N/A	8.7	3" BSP	3" BSP	550	965	1250

MODELS, DIMENSIONS & ELECTRICAL DATA

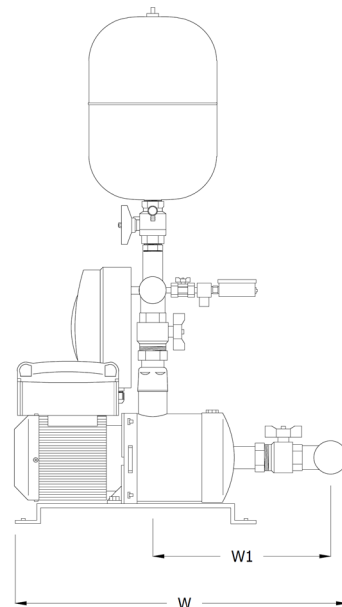
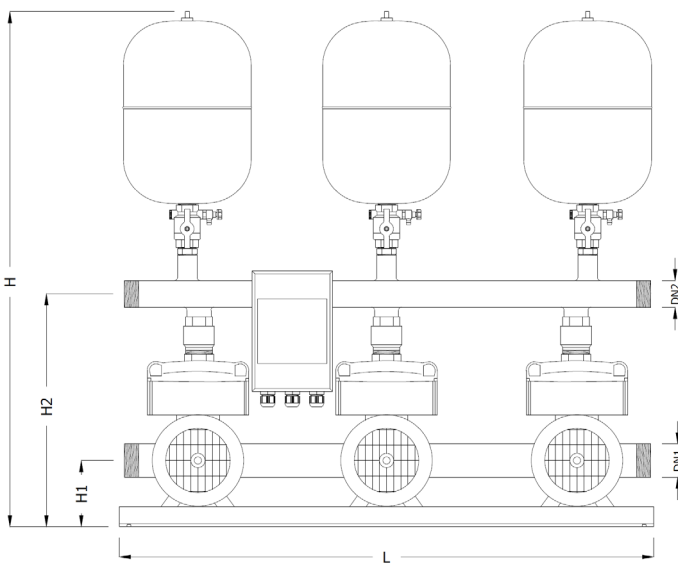
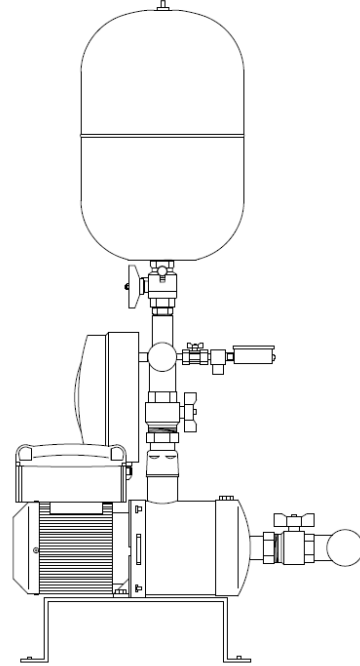
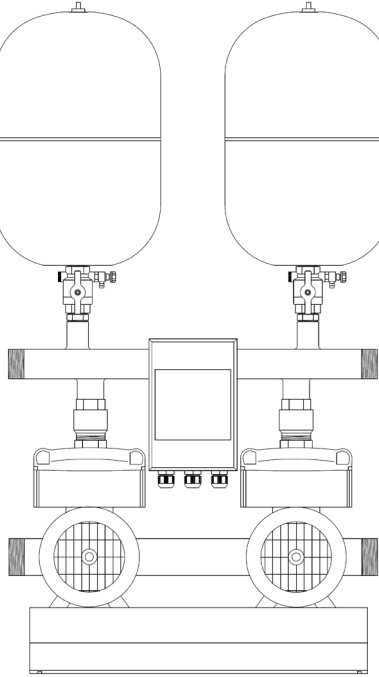
Flowboost J.H Range Booster Sets

MODEL	Kw Per Pump	F.L.C. AMPS Per Pump 1 Phase	F.L.C. AMPS Per Pump 3 Phase	Suction CONNECTION DN1	Discharge CONNECTION DN2	WIDTH mm	DEPTH mm	HEIGHT mm
flowboost 3V.J.H.*0303	0.65	2.8	1.6	2" BSP	2" BSP	900	600	1150
flowboost 3V.J.H.*0304	0.65	2.8	1.6	2" BSP	2" BSP	900	620	1150
flowboost 3V.J.H.*0305	0.75	3.1	1.8	2" BSP	2" BSP	900	645	1150
flowboost 3V.J.H.*0306	0.9	4.3	2.5	2" BSP	2" BSP	900	660	1150
flowboost 3V.J.H.*0307	1.3	5.8	3.3	2" BSP	2" BSP	900	685	1150
flowboost 3V.J.H.*0308	1.3	5.8	3.3	2" BSP	2" BSP	900	710	1150
flowboost 3V.J.H.*0309	1.5	6.6	3.8	2" BSP	2" BSP	900	735	1150
flowboost 3V.J.H.*0503	0.65	3.1	1.8	2½" BSP	2" BSP	900	700	1150
flowboost 3V.J.H.*0504	0.9	4.3	2.5	2½" BSP	2" BSP	900	720	1150
flowboost 3V.J.H.*0505	1.3	5.8	3.3	2½" BSP	2" BSP	900	745	1150
flowboost 3V.J.H.*0506	1.3	5.8	3.3	2½" BSP	2" BSP	900	760	1150
flowboost 3V.J.H.*0507	1.5	6.6	3.8	2½" BSP	2" BSP	900	785	1150
flowboost 3V.J.H.*0508	2.2	8.2	4.7	2½" BSP	2" BSP	900	810	1150
flowboost 3V.J.H.*0509	2.2	8.2	4.7	2½" BSP	2" BSP	900	835	1150
flowboost 3V.J.H.*1003	1.3	5.8	3.3	3" BSP	2½" BSP	900	700	1150
flowboost 3V.J.H.*1004	1.5	6.6	3.8	3" BSP	2½" BSP	900	720	1150
flowboost 3V.J.H.*1005	2.2	8.2	4.7	3" BSP	2½" BSP	900	745	1150
flowboost 3V.J.H.*1006	2.2	8.2	4.7	3" BSP	2½" BSP	900	780	1150
flowboost 3V.J.H.*1803	2.2	8.2	4.7	DN80	DN80	900	845	1300
flowboost 3V.J.H.*1804	3.0	N/A	6.4	DN80	DN80	900	995	1300
flowboost 3V.J.H.*1805	4.0	N/A	8.7	DN80	DN80	900	1005	1300
flowboost 3V.J.H.*1806	4.0	N/A	8.7	DN80	DN80	900	1045	1300



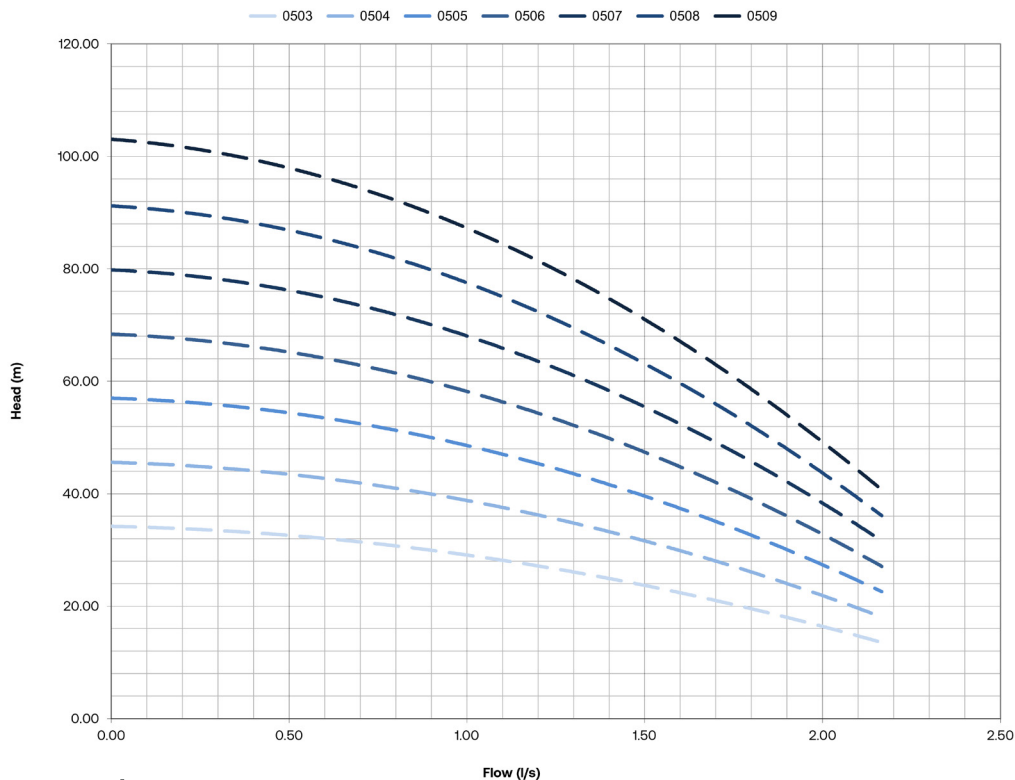
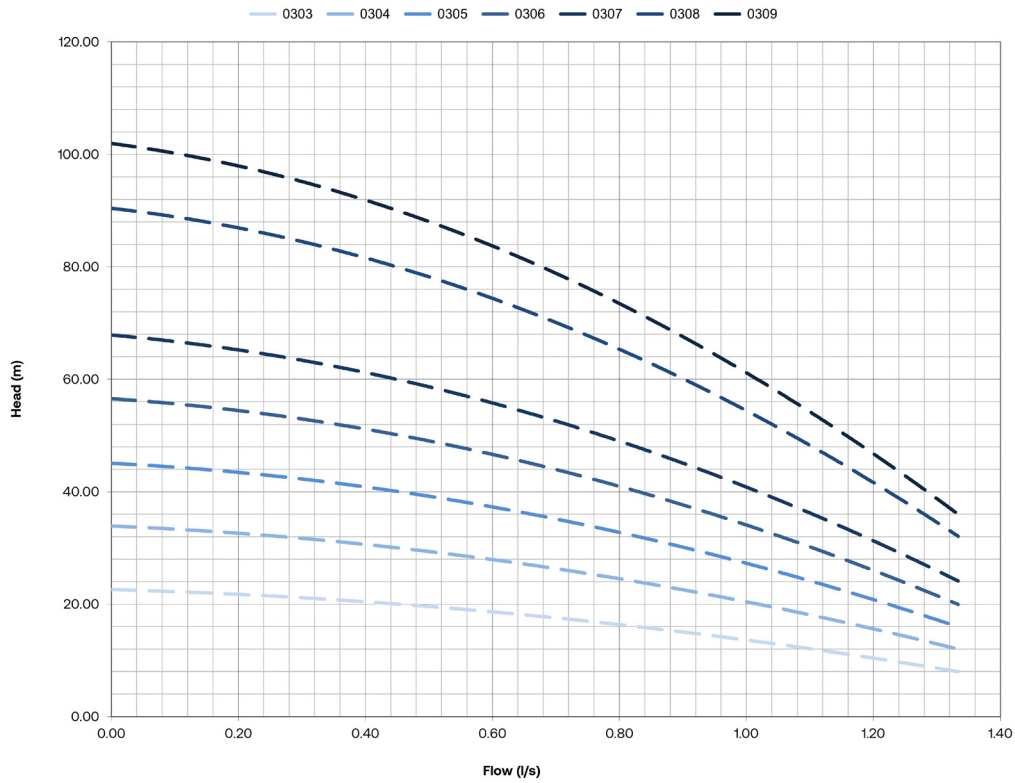
DIMENSIONAL DRAWINGS & **SCHEMATICS**

Flowboost J.H Range
Booster Sets



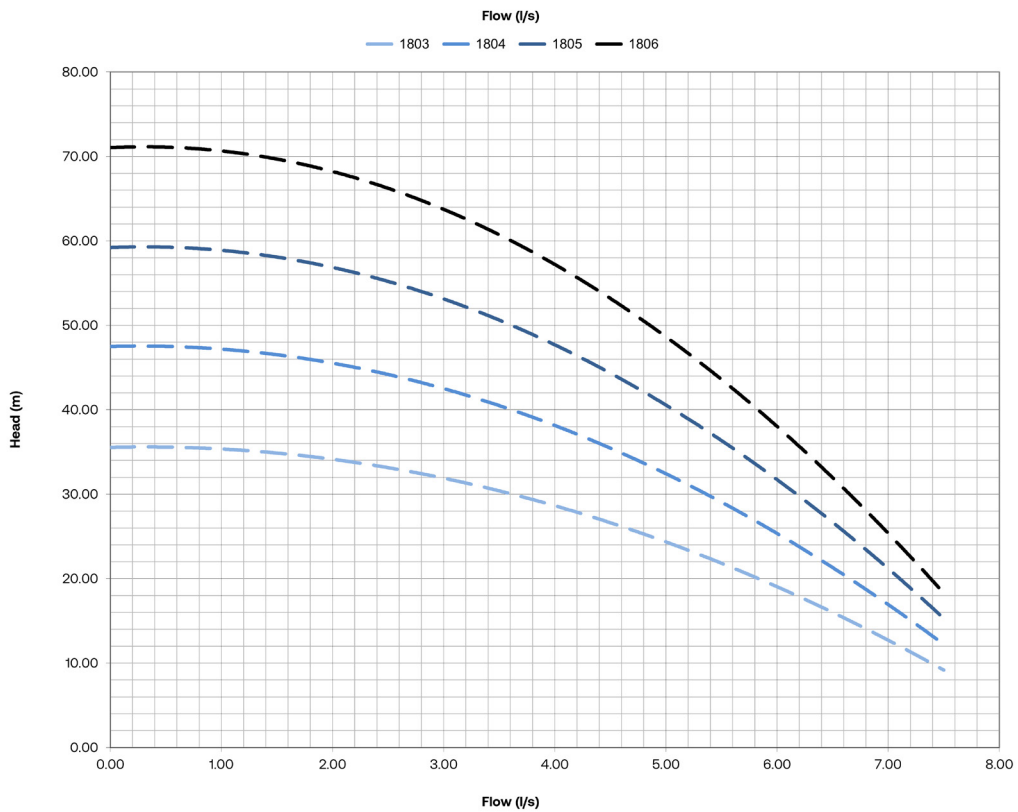
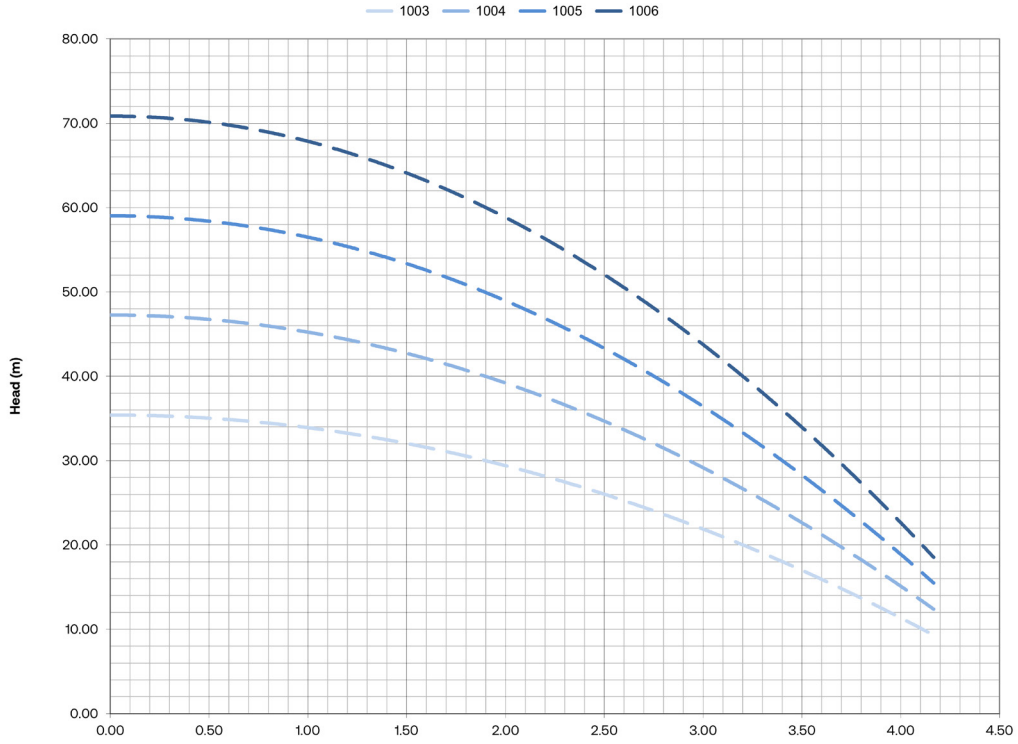
PERFORMANCE CURVE DATA

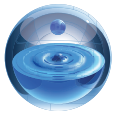
Flowboost J.H Range
Booster Sets



PERFORMANCE CURVE DATA

Flowboost J.H Range
Booster Sets





flowtech[®]
WATER SOLUTIONS

flowzone[®]

MEMBERS AREA

This section of the **flowtech**[®] website holds information exclusively for members. Members will need to log in to gain access to these pages.

Our member's will be granted exclusive access to our technical resource library. Within this resource is a wide range of product information including data sheets, technical drawings, O&M Manuals and training videos



flowcare[®]

AFTER SALES SERVICE

At **flowtech**[®] we operate a network of Service Engineers located throughout the UK who are supported by our offices located in Greater Manchester. The distribution of engineers means that in the majority of cases we are less than 4 hours away from attending a customer call out.

We place great emphasis on providing technical back up to support our Service Engineers in resolving some difficult operational and technical issues. We pride ourselves on completing a project on time, within budget and never leaving a problem unresolved, or a customer waiting. This quality of service has made us the first choice for our customers.

FOR FURTHER INFORMATION OR ASSISTANCE

contact us

Flowtech Water Solutions are experts in water services and water booster sets. We have continuously supplied a wide range of standard and custom products since being founded in 1996.

MANUFACTURE & SUPPLY

TELEPHONE : 0333 200 1756

EMAIL: info@flowtech.org.uk

SERVICE & MAINTENANCE

TELEPHONE : 0333 200 1813

EMAIL: service@flowtech.org.uk

WEBSITE: www.flowtech.org.uk

ADDRESS : Unit 1 Lock Flight Buildings, Wheatlea Industrial Estate,
Wigan, Greater Manchester WN3 6XP United Kingdom



Membership No. 700106



Certificate No. 185352020